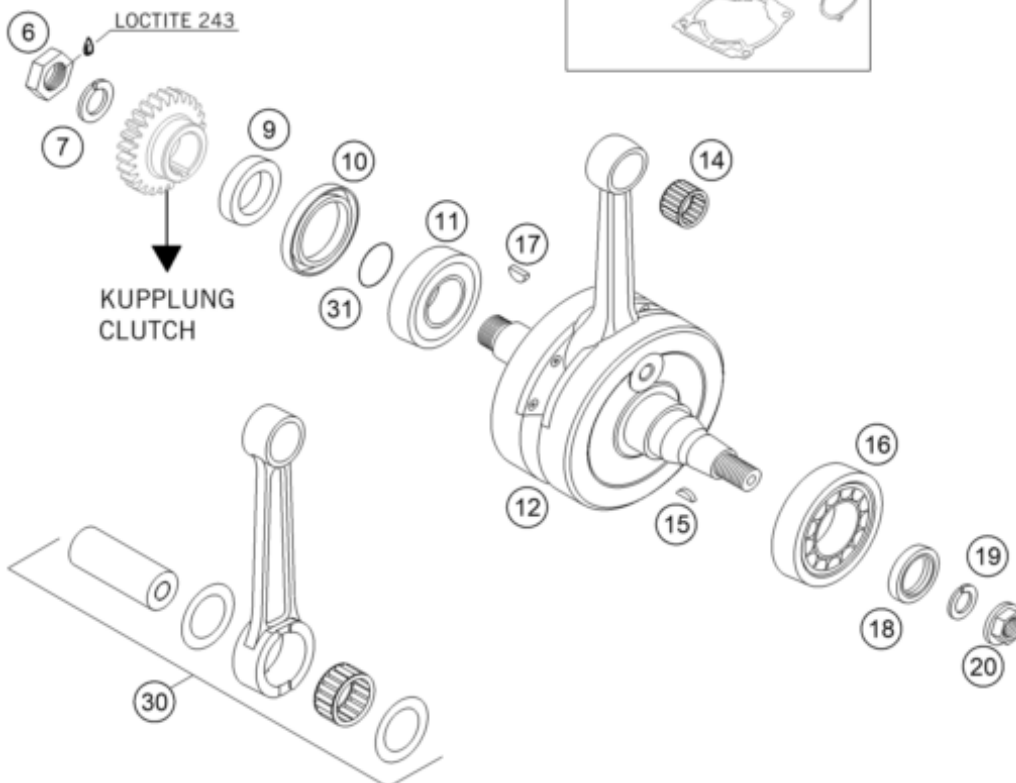
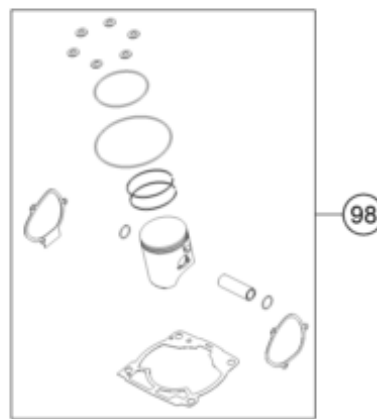
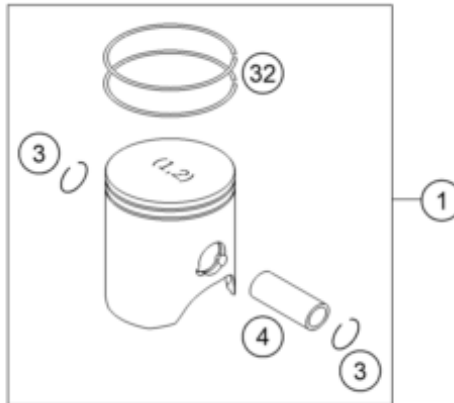


ACHTUNG!!! CAUTION!!!

FÜR KOLBEN 54830007300 I+II
WIRD KOLBENRING 54830232000
BENÖTIGT!

FOR PISTON 54830007300 I+II
PISTON RING 54830232000
IS NEEDED!



Pos	Part Number	Description	Additional Text	Quantity
1	54830007200 I	PISTON CPL. 250 2 RINGS 05		1.00
1	54830007200 II	PISTON CPL. 250 2 RINGS 05		1.00
3	54030074000	WIRE LOCK RING C18X1,5		2.00
4	54830233000	PISTON PIN		1.00
6	54630029000	HEX.NUT L/SH M18X1,5		1.00
7	58132072000	LOCK WASHER VSK 18		1.00
9	54830016000	SPACER SLEEVE 28X38X10 03		1.00

10	0760385273	SHAFT SEAL RING 38X52X7BTSL		1.00
11	0625623204	BALL BEARING 32X65X17 NTN		1.00
12	54830018200	CRANKSHAFT 250 SX 05	SX	1.00
14	54430034000	NEEDLE BEARING KBK 18X22X20		1.00
15	0888030050	WOODRUFF KEY DIN6888-3X5X13		1.00
16	56530123200	CYLIND.ROL.BEAR. NJ207ET2XCS42		1.00
17	6946005	WOODRUFF KEY 5X6,5 HARDED		1.00
18	0760253570	SHAFT SEAL RING 25X35X7 BTSL		1.00
19	50230029012	LOCKING RING VSK 12		1.00
20	49030021000	COLLAR NUT M12X1 R/S		1.00
30	54830015044	CONROD REP. KIT 250/300		1.00
31	0770250015	O-RING 25,00X1,50 NBR 70		1.00
32	54630232000	SQUARE RING 66,4MM 250 2000	250	2.00
98	00050000011	PISTON KIT GR.I 250 MX/Enduro		0.00
98	00050000003	PISTON KIT GR.II 250 MX/Enduro		0.00