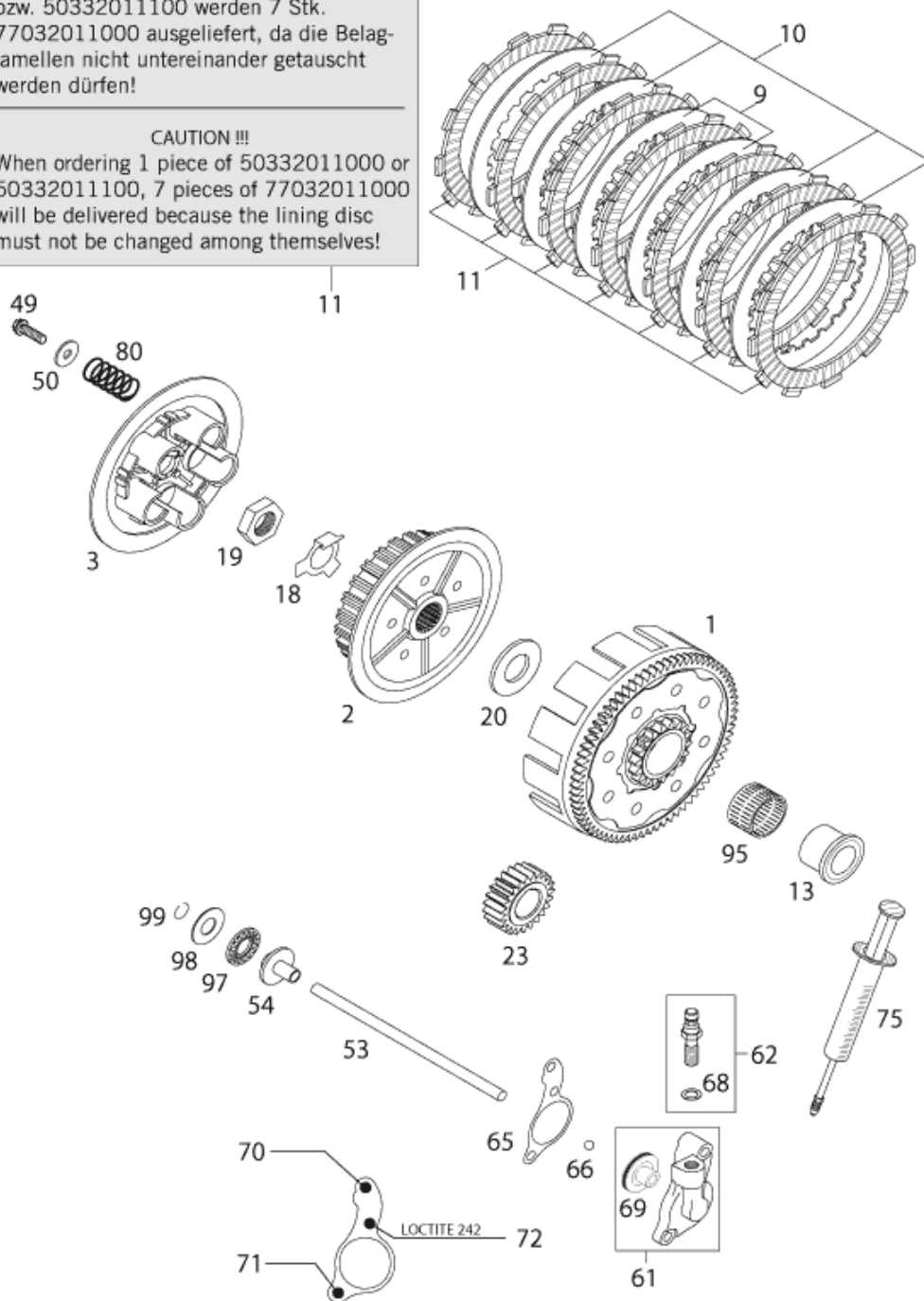


ACHTUNG !!!

Bei Bestellung von 1 Stk. 50332011000 bzw. 50332011100 werden 7 Stk. 77032011000 ausgeliefert, da die Belaglamellen nicht untereinander getauscht werden dürfen!

CAUTION !!!

When ordering 1 piece of 50332011000 or 50332011100, 7 pieces of 77032011000 will be delivered because the lining disc must not be changed among themselves!



Pos	Part Number	Description	Additional Text	Quantity
1	50332000073	OUTER CLUTCH H.73-T 125/200	WITHOUT PRIMARY PINION	1.00
2	50332002000	INNER CLUTCH HUB 125/200'98		1.00
3	50332003000	PRESSURE PLATE 125/200'98		1.00
9	50332010100	INTERMEDI. DISC STEEL 1,5MM'98		2.00
10	50332010000	INTERM'IATE DISC ALU 1,5MM'98		4.00
11	50332011000	ORGANIC DISK 3MM '98		7.00
13	50332013000	INNER RING 20X26X25,9 '98		1.00
18	50332018000	SHEET METAL LOCK 1,5MM '98		1.00
19	0936181505	HEXAGON NUT DIN0936-M18X1,5 R.		1.00

20	50332020000	STOP DISK 20X39,6X3 '98		1.00
23	50332023023	PRIM. PINION 23-T 125/200'98		1.00
49	0015060203	HH COLLAR SCREW M 6X20 WS=8		5.00
50	50232050000	WASHER 6,2X18X2	125	5.00
53	50332017200	PUSH ROD L=179MM 125/200'98		1.00
54	50332054051	PRESSURE PIECE 125-380 '98		1.00
61	50332061044	CYLINDER CPL. 125/200'98		1.00
62	50332062000	Hollow screw compl. M 10x1 98		1.00
65	50332065051	CLUTCH RELEASE GASKET 0,3MM		0.00
65	50332065052	CLUTCH RELEASE GASKET 0,5MM		0.00
65	50332065053	CLUTCH RELEASE GASKET 0,75MM		0.00
66	0401070003	BALL DIN5401-7		1.00
68	42013226000	CU-SEAL RING DIN7603-10X16X1		1.00
69	50332066000	PISTON W. O-RING 125/200 2000		1.00
70	0015060403	HH COLLAR SCREW M 6X40 WS=8	450 SMR	1.00
71	0015060203	HH COLLAR SCREW M 6X20 WS=8		1.00
72	0015060253	HH COLLAR SCREW M 6X25 WS=8		1.00
75	50329050000	VENT INJEKTION HYDR. CLUTCH		1.00
80	50332005000	CLUTCH SPRING 2,3X39,5 125'98		5.00
95	56532095000	NEEDLE BEARING K26X30X22ZW.KSE		1.00
97	54637097200	AXIAL NEEDLE BEARING AXK 1226		1.00
98	54637098200	AXIAL WASHER AS1226 12X26X1		1.00
98	54637098300	AXIAL WASHER 12,5X25,8X1,5		0.00
99	0993012000	CIRCLIP DIN7993-RW12		1.00