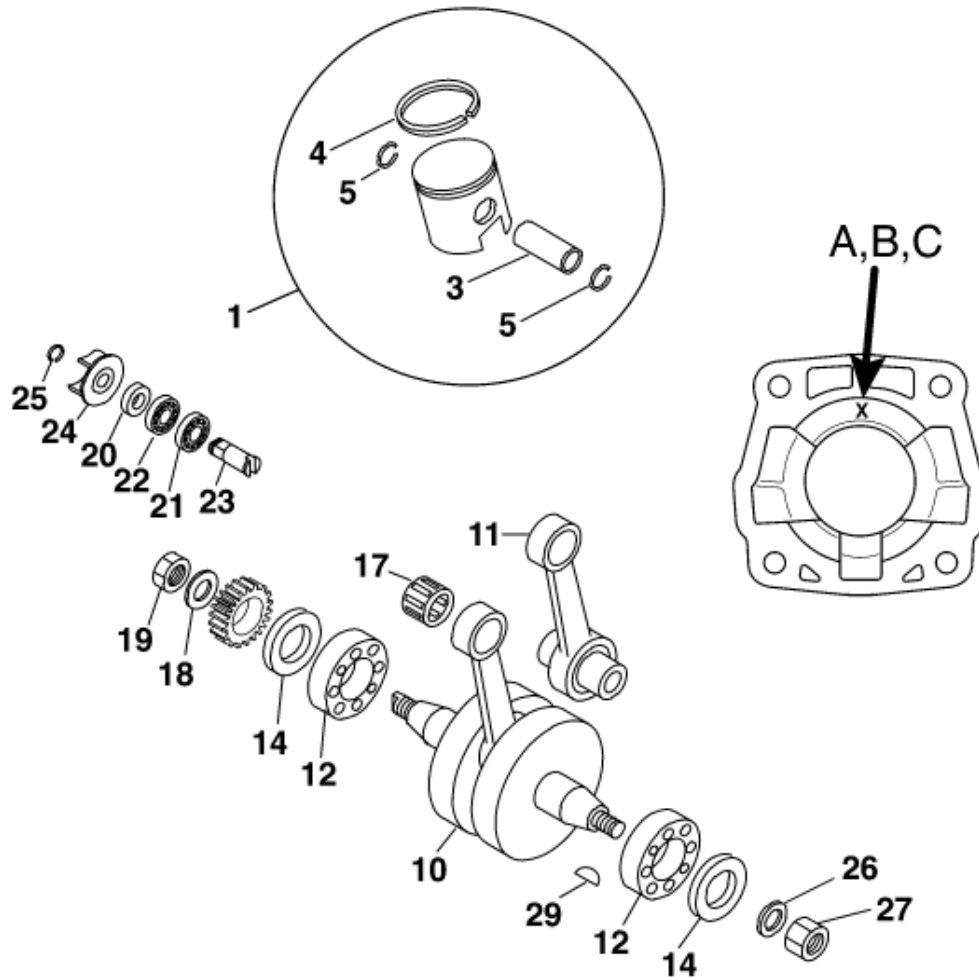


Motor Nr. / Engine No. B60 000201 ➔

Motor Nr. / Engine No. B65 000211 ➔



Pos	Part Number	Description	Additional Text	Quantity
1	46030007000 A	PISTON CPL. 43,5MM "A" 60'		0.00
1	46030007000 B	PISTON CPL. 43,5MM "B" 60'		0.00
1	46030007000 C	PISTON CPL. 43,5MM "C" 60'98		0.00
1	46030007500 A	PISTON CPL. 45MM "A/B" 65'		0.00
1	46030007500 B	PISTON CPL. 45MM "B" 65'		0.00
1	46030007500 C	PISTON CPL. 45MM "C/D" 65'		0.00
3	46030033000	PISTON PIN 12X38		1.00
4	46030030000	PISTON RING 43,5MM 60CCM		1.00
4	46030030500	PISTON RING 45MM 65CCM		1.00
5	46030074000	CIRCLIP 12X1		2.00
10	46030018100	CRANKSHAFT CPL. STROKE40MM'99		1.00
11	46030015000	CONN. ROD REPAIR SET 60/65 CCM		1.00
12	46030082100	GROOVED BALL BEARING 20X52X1		2.00
14	46030077000	SHAFT SEAL RING 20X35X6		2.00
17	46030034000	NEEDLE BEAR.PISTONPIN 12X15X17		1.00
18	46030078100	LOCKING WASHER 14X20X1	UNTIL ENGINE NO. B65 5000874	0.00
19	46030029100	HH-NUT M14X1,25X5 '99		1.00

20	46035056100	SHAFT SEAL RING 10X18X4		1.00
21	46035057000	WATER PUMP BEARING 10X19X5		1.00
22	46035058000	WA.PU.BEAR. 10X19X5 DOUBLELIP		1.00
23	46035054000	WATER PUMP SHAFT 60/65 '99		1.00
24	46035055100	WATER PUMP WHEEL 60/65 '99		1.00
25	0471090010	CIRCLIP DIN0471- 9X1		1.00
26	0127100003	SPRING RING DIN0127-B10		1.00
27	46030028000	HH NUT M10X1,25X17 WS=15		1.00
29	46030075000	WOODRUFF KEY 3X3,7X9,7		1.00