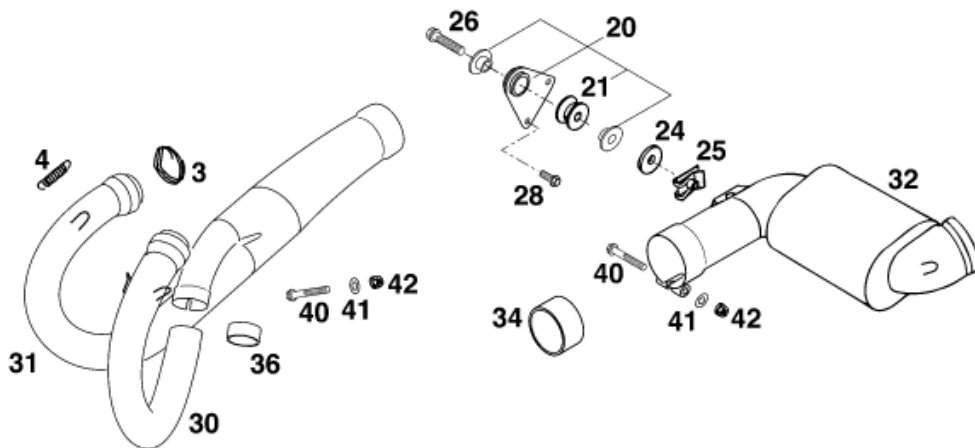
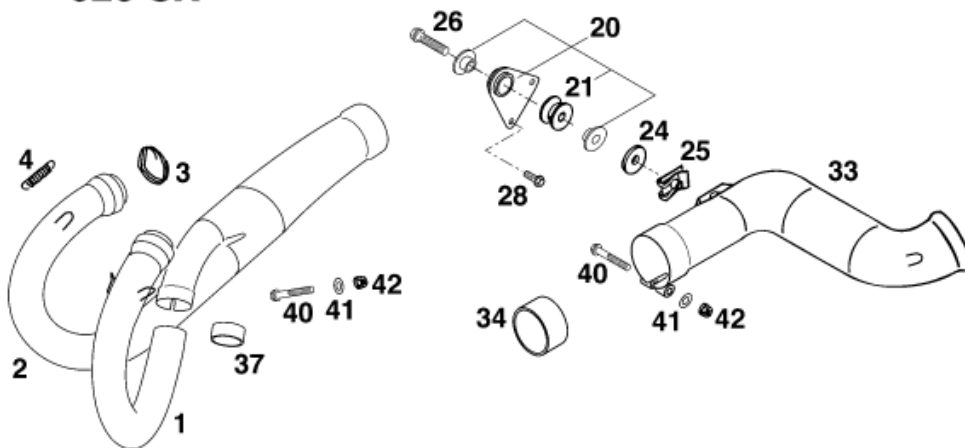


400/540 SXC



620 SX



Pos	Part Number	Description	Additional Text	Quantity
1	58405007200	EXH PIPE L/S "KTM584" '98		1.00
2	58405008200	EXHAUST PIPE R/S "KTM584" '98		1.00
3	58305053001	CERAMIC LINE 1 METER		1.00
4	54309036000	RETURN SPRING L=38 MM		4.00
20*	5830506504490	BRACKET-PRE-SIL.CPL SILVER '99		1.00
21	54305068100	damp. component silicone grey		1.00
24	51005067000	INSOLATE WASHER 8,5X28X3		1.00
25	54603048000	RANGE CHANGE METAL NUT M8		1.00
26	0015080353	HH COLLAR SCREW M 8X35 WS=10	FC	1.00
28	0015060163	HH COLLAR SCREW M 6X16 WS=8	FE, FS	2.00
30	57705007100	EXHAUST PIPE L/S "KTM577" '		1.00
31	57705008100	EXHAUST PIPE R/S "KTM577" '		1.00
32	58405050200	PRESILENCER "KTM V2" '		1.00
33*	58305175300	% TUBE-PRE SILENCER '		1.00
34	58405005001	Graphite ring 45X50X25		1.00
36	57705005000	GRAPHIT RING 28X32X20		1.00

37	58405005000	GRAPHIT RING 32X37X20		1.00
40	0015060403	HH COLLAR SCREW M 6X40 WS=8	450 SMR	2.00
41	0125060003	WASHER DIN0125-A 6,4		2.00
42	51010086000	SELF LOCKING NUT M 6 COPPER		2.00

* = New part