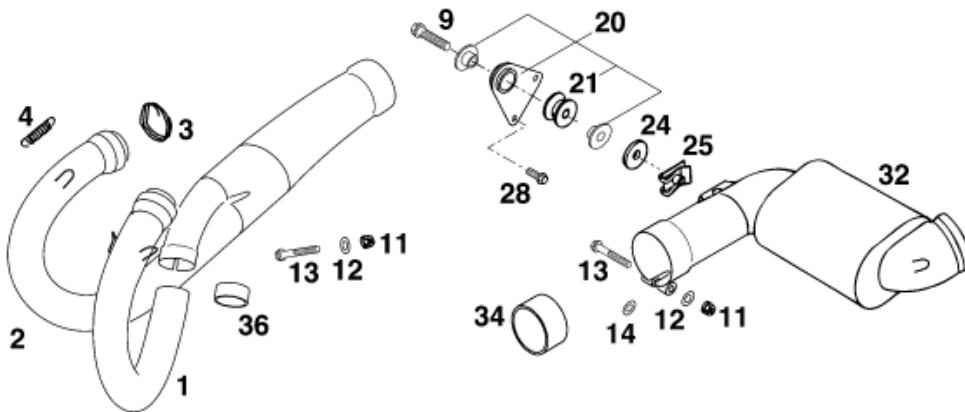
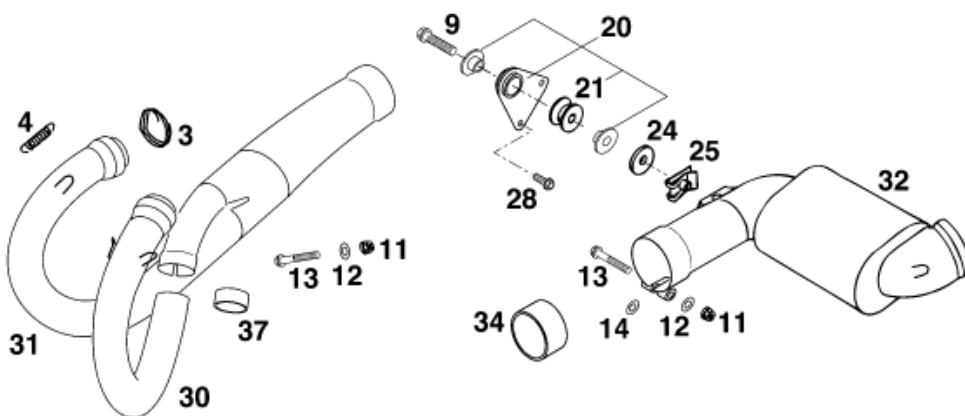


400 LC4



620 Comp. / 640 LC4, LC4 R, S.MOTO



Pos	Part Number	Description	Additional Text	Quantity
1	57705007100	EXHAUST PIPE L/S "KTM577" '		1.00
2	57705008100	EXHAUST PIPE R/S "KTM577" '		1.00
3	58305053001	CERAMIC LINE 1 METER		1.00
4	54309036000	RETURN SPRING L=38 MM		4.00
9	0015080353	HH COLLAR SCREW M 8X35 WS=10	FC	1.00
11	51010086000	SELF LOCKING NUT M 6 COPPER		2.00
12	0125060003	WASHER DIN0125-A 6,4		2.00
13	0015060403	HH COLLAR SCREW M 6X40 WS=8	450 SMR	2.00
14	12011016000	WASHER 6 X 12 X 3		1.00
20	58305065044	% BRACKET-PRE SILENCER CPL. 95		1.00
21	54305068100	damp. component silicone grey		1.00
24	51005067000	INSULATE WASHER 8,5X28X3		1.00
25	54603048000	RANGE CHANGE METAL NUT M8		1.00
28	0015060163	HH COLLAR SCREW M 6X16 WS=8	FE, FS	2.00
30	58405007200	EXH PIPE L/S "KTM584" '98		1.00
31	58405008200	EXHAUST PIPE R/S "KTM584" '98		1.00
32	58405050200	PRESILENCER "KTM V2" '		1.00

34	58405005001	Graphite ring 45X50X25		1.00
36	57705005000	GRAPHIT RING 28X32X20		1.00
37	58405005000	GRAPHIT RING 32X37X20		1.00