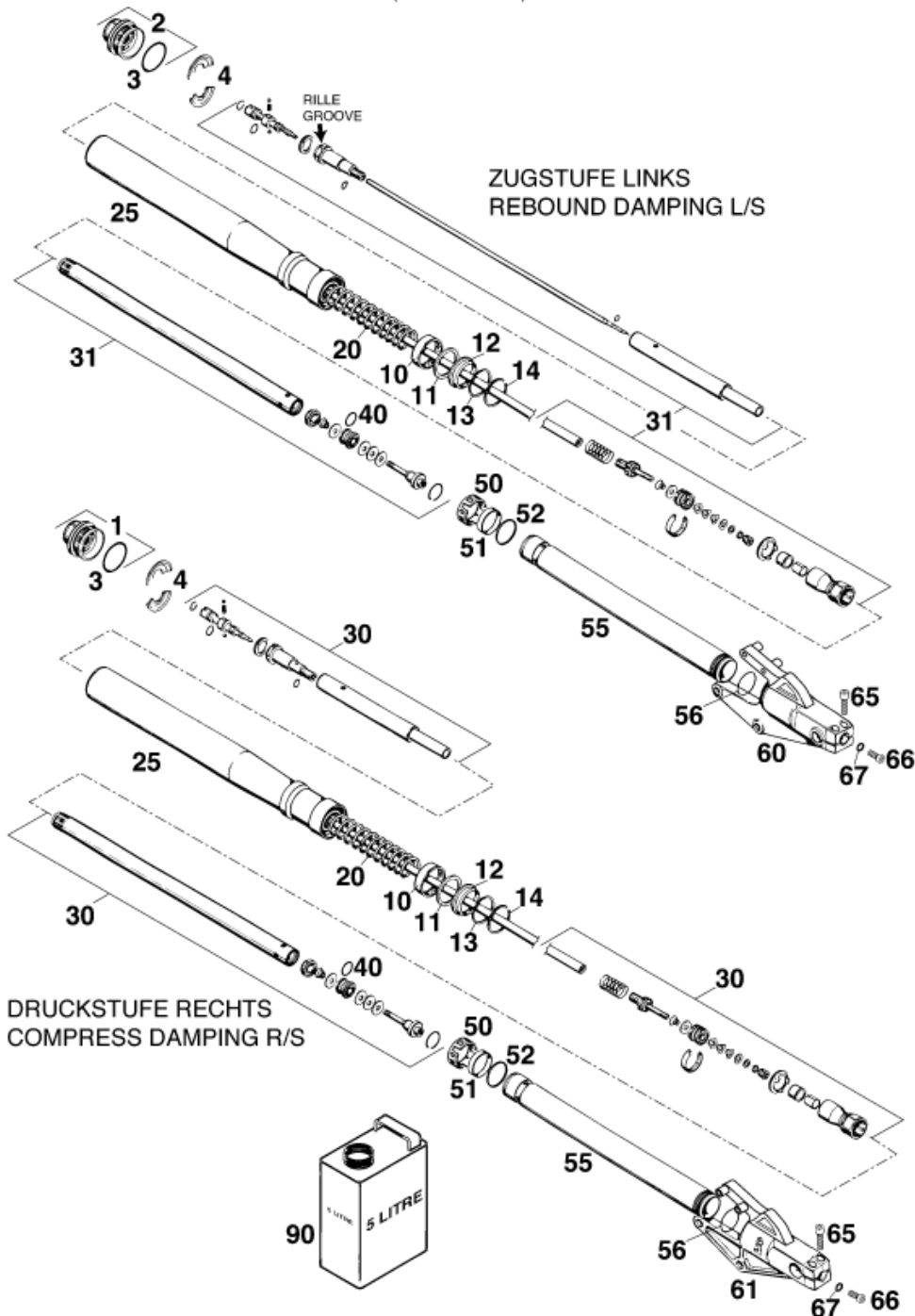


FÜLLMENGE: 740CCM STOSSDÄMPFERÖL SAE5 PRO GABELHOLM  
 OIL QUANTITIES: 740 CCM (45 CUBIC IN) SHOCK ABSORBER OIL SAE5 PER FOF



Pos	Part Number	Description	Additional Text	Quantity
1	58401008000	% SCREW CAP CPL. R/S "COM"		1.00

2	58401009000	* SCREW CAP CPL. L/S "REB"	1.00
3	0770430030	O-RING 43,00X3,00	2.00
4	54501050000	% KEY HALF	4.00
10	57501026000	GUIDE BUSHING 40 X 44 X 20-1	2.00
11	56401027000	RING 42X49,2X1,5	2.00
12	58001805000	SHAFT SEAL RING 40X49,5X9LF	2.00
13	56401127000	RING 49,5X45X1	2.00
14	56401029000	SEEGER LOCK RING SB50	2.00
20	58401021000	SPRING 370MM - 6,5/9,0 KG	2.00
25	58401004000	% OUTER TUBE '	2.00
30	58401010000	% CARTRIDGE CPL. R/S	1.00
31	58401011000	CARTRIDGE CPL. L/S	1.00
40	0770020160	O-RING 15,60X1,78	2.00
50	54501077000	BUSHING	2.00
51	54501045000	ANILLO DE RODAMIENTO 42,8X13	2.00
52	54501046000	% RING 39X42X1	2.00
55	58301203000	% INNER TUBE L=520MM DUKE'	2.00
56	0770380020	O-RING 38,00X2,00 NBR 70 SH	2.00
60	58401006000	% FORK LEG AXLE PASSAGE L/S '	1.00
61	58401007000	FORK LEG AXLE PASSAGE R/S '96	1.00
65	0912080303	AH SCREW DIN0912-M 8X30	4.00
66	0984080203	* AH SCREW DIN7984-M 8X20	2.00
67	54501081000	SEAL RING 8X12X1,5	2.00
90	306007	FORK OIL SAE5 5 LITER	1.00