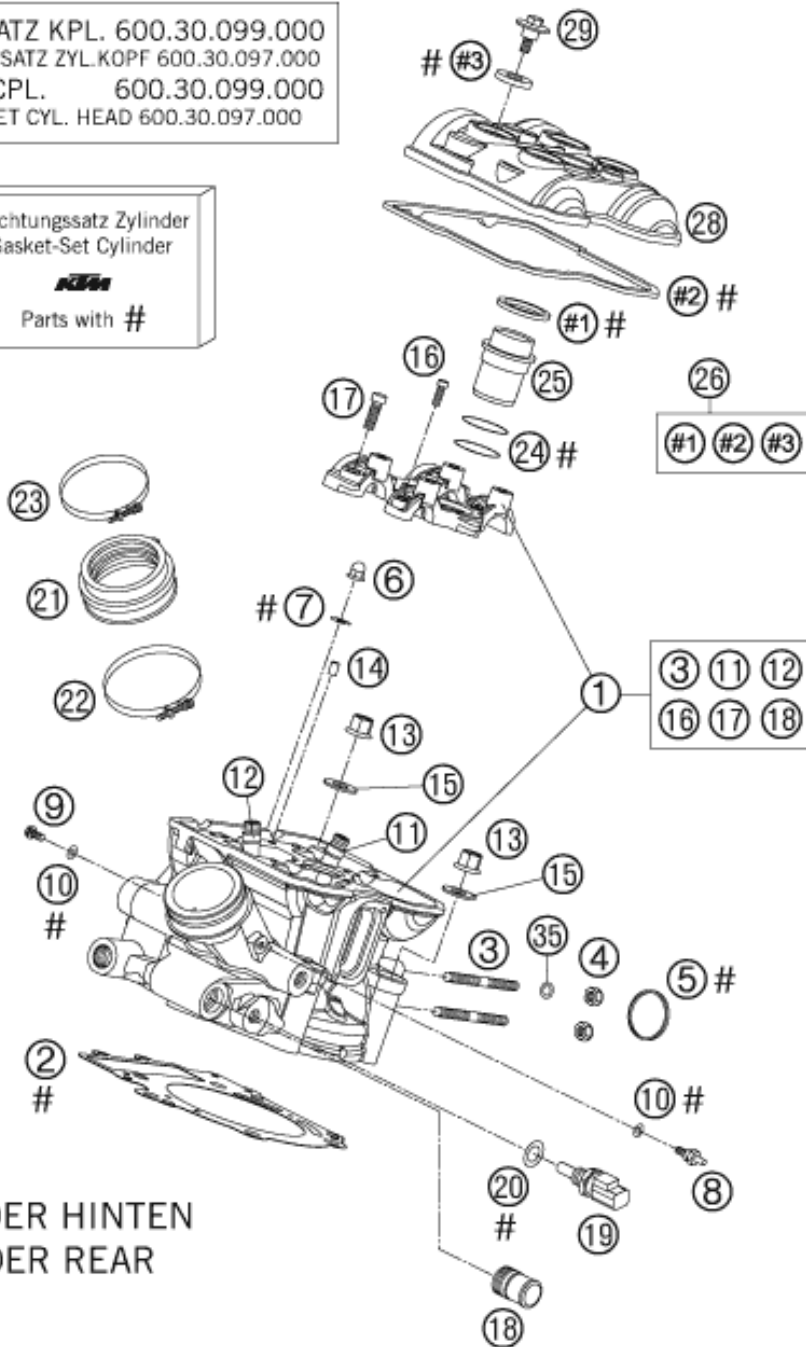


DICHTUNGSSATZ KPL. 600.30.099.000  
ENTHÄLT DICHT.SATZ ZYL.KOPF 600.30.097.000  
GASKET-SET CPL. 600.30.099.000  
INCL. GASKET-SET CYL. HEAD 600.30.097.000



ZYLINDER HINTEN  
CYLINDER REAR

Pos	Part Number	Description	Additional Text	Quantity
1	61036120144	CYLINDER HEAD CPL. REAR 05		1.00
2	60030036000	CYLINDER HEAD GASKET 0,5 101MM		1.00
3	0835080256	STUD DIN0835-M 8X25 10.9		2.00
4	51010086100	self-locking nut M8 Cu		2.00
5	61005005000	Exhaust gasket 05		1.00
6	0587060000	CAP NUT M6 DIN1587 02		2.00
7	0125060003	WASHER DIN0125-A 6,4		2.00
8	61036023000	VACUUM CONECTION 05	USA	1.00
9	0015060103	HH COLLAR SCREW M 6X10 WS=8	FC	0.00
10	0603061001	CU-SEAL RING DIN7603-6X10X1		0.00
11	60036026000	VALVE GUIDE EXHAUST 03		2.00
12	60036025000	VALVE GUIDE INTAKE 03		2.00

13	60036078200	hex collar nut M10 WS13		4.00
14	0402050980	needle roller DIN 5402 5x9.8		2.00
15	60036078050	SHIM 10,2X19X1,5MM 05		4.00
16	0912060255	AH SCREW DIN0912-M 6X25 10.9		4.00
17	0984080305	AH SCREW DIN7984-M 8X30 10.9		4.00
18	58030010100	HOSE CONNECTOR M20X1,5 SPLICE		1.00
19	60011252000	TEMPERAT.-SENSOR WATER LC8 02	ONLY FOR LC4 ADVENTURE	1.00
20	0770100020	o-ring 10.00x2.00 silicone	ONLY FOR LC4 ADVENTURE	1.00
21	61036044000	RUBBERSLEEVE INTAKE FLANGE 05		1.00
22	61036048000	HOSE CLAMP GEMI 66MM 05		1.00
23	61036047000	Hose clamp GEMI 63mm 05		1.00
24	0770298178	O-RING 29,87X1,78 VITON		2.00
25	60036075000	INSERT SPARK-PLUG SHAFT LC8 03		1.00
26	60036099000	VALVE COVER GASKET SET FR+RR		1.00
28	60036152000	VALVE COVER REAR 03		1.00
29	60036052020	collar screw M 6 WS=10 03		4.00
35	61005009000	SPACER BUSH. 8,5X15X7,5 05		1.00
99	60030097000	GASKET SET CYL. HEAD KPL. 03	CYLINDER FRONT + REAR	1.00