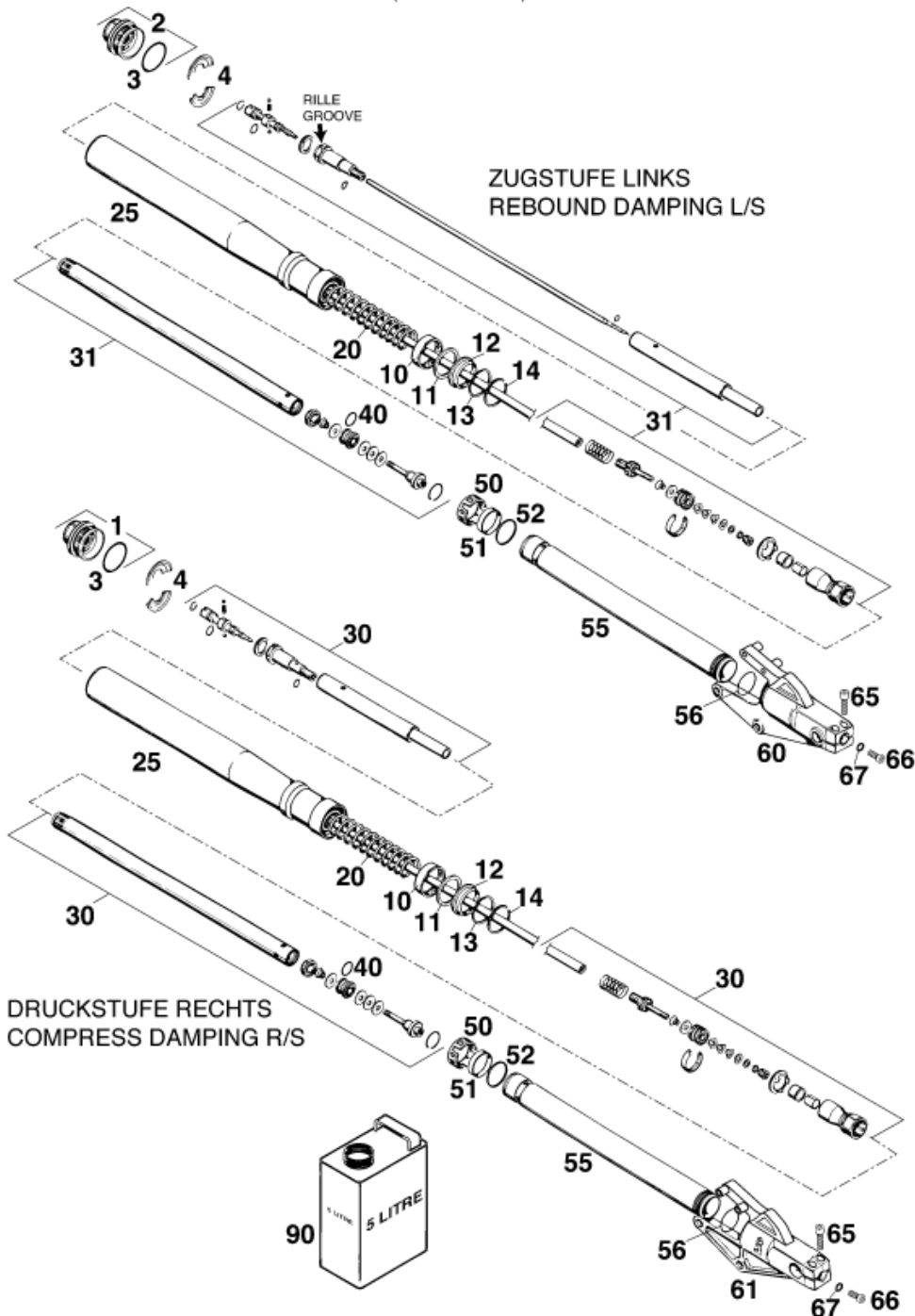


FÜLLMENGE: 740CCM STOSSDÄMPFERÖL SAE5 PRO GABELHOLM
OIL QUANTITIES: 740 CCM (45 CUBIC IN) SHOCK ABSORBER OIL SAE5 PER FOF



| Pos | Part Number | Description | Additional Text | Quantity |
|-----|-------------|----------------------------|-----------------|----------|
| 1 | 58401008000 | % SCREW CAP CPL. R/S "COM" | | 1.00 |

| | | | |
|----|-------------|-------------------------------|------|
| 2 | 58401009000 | * SCREW CAP CPL. L/S "REB" | 1.00 |
| 3 | 0770430030 | O-RING 43,00X3,00 | 2.00 |
| 4 | 54501050000 | % KEY HALF | 4.00 |
| 10 | 57501026000 | GUIDE BUSHING 40 X 44 X 20-1 | 2.00 |
| 11 | 56401027000 | RING 42X49,2X1,5 | 2.00 |
| 12 | 58001805000 | SHAFT SEAL RING 40X49,5X9LF | 2.00 |
| 13 | 56401127000 | RING 49,5X45X1 | 2.00 |
| 14 | 56401029000 | SEEGER LOCK RING SB50 | 2.00 |
| 20 | 58401021000 | SPRING 370MM - 6,5/9,0 KG | 2.00 |
| 25 | 58401004000 | % OUTER TUBE ' | 2.00 |
| 30 | 58401010000 | % CARTRIDGE CPL. R/S | 1.00 |
| 31 | 58401011000 | CARTRIDGE CPL. L/S | 1.00 |
| 40 | 0770020160 | O-RING 15,60X1,78 | 2.00 |
| 50 | 54501077000 | BUSHING | 2.00 |
| 51 | 54501045000 | ANILLO DE RODAMIENTO 42,8X13 | 2.00 |
| 52 | 54501046000 | % RING 39X42X1 | 2.00 |
| 55 | 58301203000 | % INNER TUBE L=520MM DUKE' | 2.00 |
| 56 | 0770380020 | O-RING 38,00X2,00 NBR 70 SH | 2.00 |
| 60 | 58401006000 | % FORK LEG AXLE PASSAGE L/S ' | 1.00 |
| 61 | 58401007000 | FORK LEG AXLE PASSAGE R/S '96 | 1.00 |
| 65 | 0912080303 | AH SCREW DIN0912-M 8X30 | 4.00 |
| 66 | 0984080203 | * AH SCREW DIN7984-M 8X20 | 2.00 |
| 67 | 54501081000 | SEAL RING 8X12X1,5 | 2.00 |
| 90 | 306007 | FORK OIL SAE5 5 LITER | 1.00 |