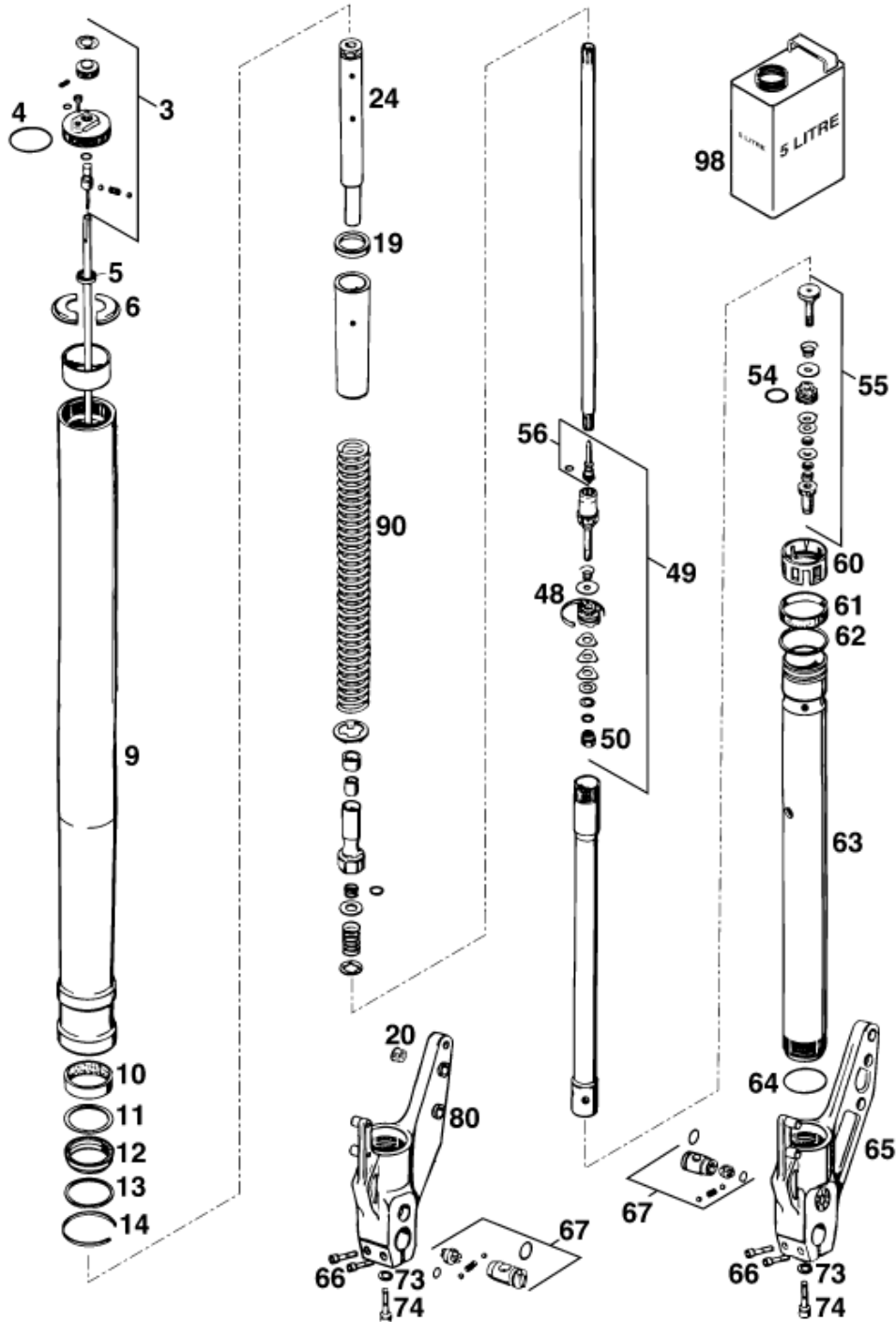


FÜLLMENGE: 330CCM STOSSDÄMPFERÖL SAE5 PRO GABELHOLM
OIL QUANTITIES: 330 CCM SHOCK ABSORBER OIL SAE5 PER FORK LEG



| Pos | Part Number | Description | Additional Text | Quantity |
|-----|-------------|------------------------------|-----------------|----------|
| 3 | 57601036044 | SCREW CAP CPL.IBS '94 | | 2.00 |
| 4 | 0770430030 | O-RING 43,00X3,00 | | 2.00 |
| 5 | 54501051000 | * RUBBER GASKET 14,1X22X4 | | 2.00 |
| 6 | 56501450200 | % KEY IBS | | 4.00 |
| 9* | 58301004000 | * OUTER TUBE DUKE'94 | | 2.00 |
| 10 | 57501026000 | GUIDE BUSHING 40 X 44 X 20-1 | | 2.00 |
| 11 | 56401027000 | RING 42X49,2X1,5 | | 2.00 |
| 12 | 58001805000 | SHAFT SEAL RING 40X49,5X9LF | | 2.00 |
| 13 | 56401127000 | RING 49,5X45X1 | | 2.00 |

| | | | | |
|-----|-------------|--------------------------------|--|------|
| 14 | 56401029000 | SEEGER LOCK RING SB50 | | 2.00 |
| 19 | 54501019000 | WASHER 24,5X34X2 | | 2.00 |
| 20* | 58301098000 | PLASTIC CAP 3/8" 2663 | | 2.00 |
| 24 | 56501457244 | HYDROSTOP CPL IBS L=227,5 MM | | 2.00 |
| 48 | 57601070000 | * PISTON RING 5X1X62 | | 2.00 |
| 49* | 58301271044 | REBOUND DAMPING CPL. DUKE'94 | | 2.00 |
| 50 | 54501072000 | * HEX.NUT M6X0,5 | | 2.00 |
| 54 | 0770020160 | O-RING 15,60X1,78 | | 2.00 |
| 55* | 58301276044 | COMPRESS DAMPING CPL. DUKE'94 | | 2.00 |
| 56 | 56501467244 | * ADJUSTMENT SCREW CPL IBS '93 | | 2.00 |
| 60 | 54501077000 | BUSHING | | 2.00 |
| 61* | 54501045000 | ANILLO DE RODAMIENTO 42,8X13 | | 2.00 |
| 62 | 54501046000 | % RING 39X42X1 | | 2.00 |
| 63* | 58301203000 | % INNER TUBE L=520MM DUKE' | | 2.00 |
| 64 | 0770380020 | O-RING 38,00X2,00 NBR 70 SH | | 2.00 |
| 65* | 58301206000 | % AXLE CLAMP L/S DUKE '94 | | 1.00 |
| 66 | 0912080303 | AH SCREW DIN0912-M 8X30 | | 4.00 |
| 67 | 54501078144 | % ADJUSTMENT SCREW COMP.DAMPIN | | 2.00 |
| 73 | 54501081000 | SEAL RING 8X12X1,5 | | 2.00 |
| 74 | 0984080203 | * AH SCREW DIN7984-M 8X20 | | 2.00 |
| 80* | 58301306000 | % AXLE CLAMP R/S DUKE'94 | | 1.00 |
| 90* | 58301221900 | * SPRING 400MM 6,5/9,0 KG | | 2.00 |
| 98* | 306007 | FORK OIL SAE5 5 LITER | | 1.00 |

* = New part