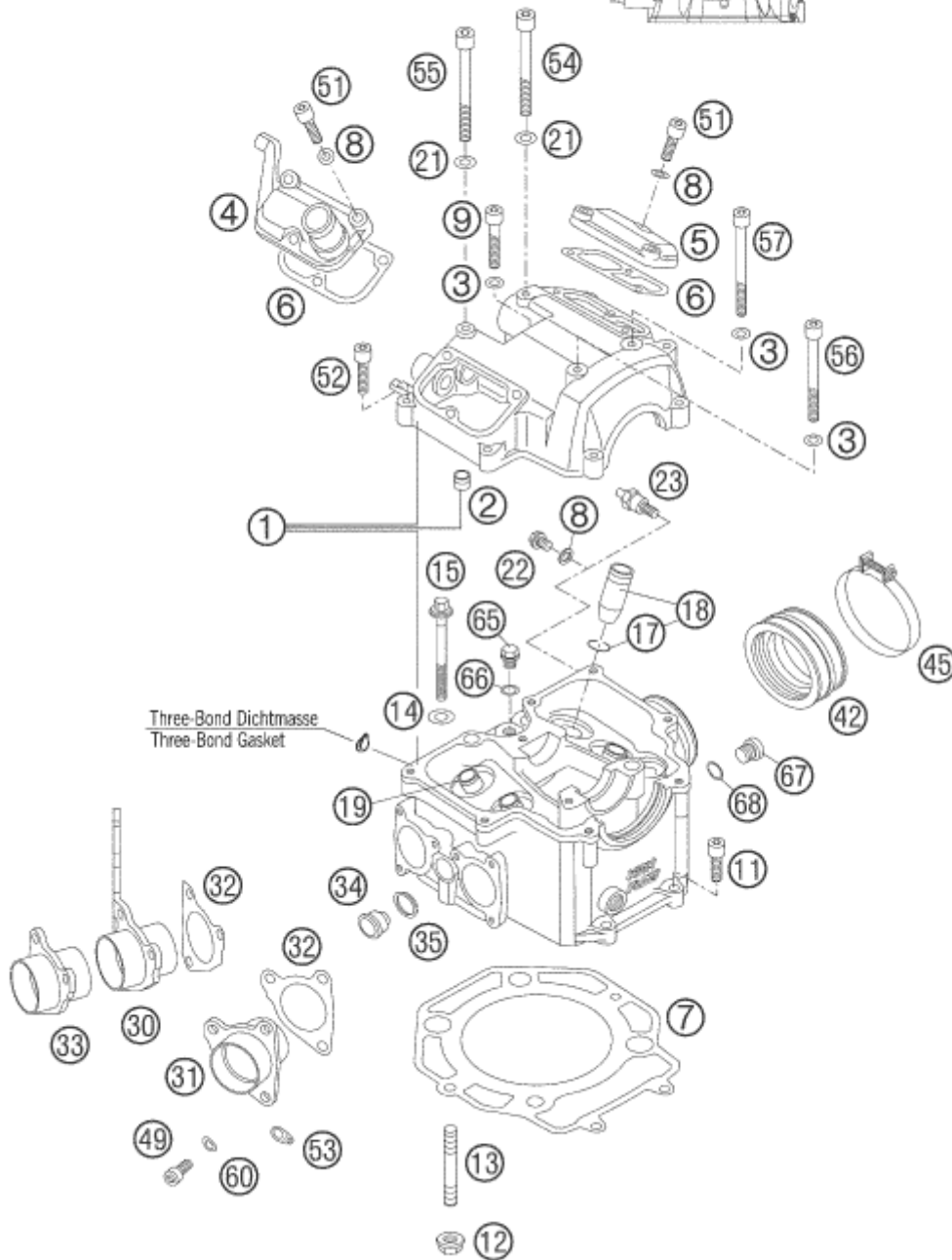
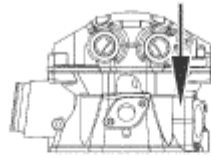


G = 660 ccm



Pos	Part Number	Description	Additional Text	Quantity
1	5863602010023	CYLINDER HEAD CPL. SM SAS 04		1.00
2	58530090000	DOWEL BUSHING 9,8X7,2X10	NOTCH, MARKING	1.00
3	58036065100	CU-SEAL RING 6 X 10 X 2		3.00
4	58036152600	VALVE COVER FRONT '99		1.00
5	58036052000	VALVE COVER REAR		1.00
6	58036053000	VALVE COVER GASKET		2.00
7	58530036000	CYLINDER HEAD GASKET 102,3MM		1.00
8	0603061001	CU-SEAL RING DIN7603-6X10X1		7.00
9	0912060353	AH SCREW DIN0912-M 6X35		1.00

11	0912060253	AH SCREW DIN0912-M 6X25		2.00
12	49030028000	COLLAR NUT M8		2.00
13	54330043000	STUD DIN0835-M 8X40	600/612/620/640/660 LC4	2.00
14	0125100003	washer DIN 125 A 10.5	ONLY FOR 640 DUKE	4.00
15	58036099100	COLLAR SCREW M10X80 WS=13 10.9		4.00
17	0993012000	CIRCLIP DIN7993-RW12		4.00
18	58036026644	VALVE GUIDE INTAKE CPL.		2.00
19	58036126644	VALVE GUIDE EXHAUST CPL.		2.00
21	0603070122	CU-SEAL RING DIN7603- 7X12X2		2.00
22	0015060083	HH COLLAR SCREW M 6X8 WS=8	LC4, LC4 SM, DUKE	0.00
23	58336020190	VACUUM CONECTION M6/3MM '97	SECONDARY AIR SYSTEM	1.00
30	58436039100	EXHAUST FLANGE CPL. R/S SAS 04	WITH SAS	1.00
31	58036140100	EXHAUST FLANGE L/S		1.00
32	58036041000	EXHAUST FLANGE GASKET		2.00
33	58036040100	EXHAUST FLANGE R/S 04	WITHOUT SAS	0.00
34	58336024000	PLUG SAS BORE		0.00
35	58436054000	CU-SEAL RING 12 X 16 X 2		1.00
42	58536044000	INTAKE BOOT RALLYE 2001	EUROPE	1.00
45	59030061000	CLAMP D=56MM B=9MM M4X25	EUROPE	2.00
49	0912060163	AH SCREW DIN0912-M 6X16		6.00
51	0912060203	AH SCREW DIN0912-M 6X20		6.00
52	0912060253	AH SCREW DIN0912-M 6X25		6.00
53	51005074000	RETAINING PLATE		4.00
54	0912070553	AH SCREW DIN0912-M 7X55 12.9		1.00
55	0912070603	AH SCREW DIN0912-M 7X60 12.9		1.00
56	0912060653	SHCS DIN 912 M6x65		1.00
57	0912060703	AH SCREW DIN0912-M 6X70		1.00
60	0137060003	spring washer DIN 137 B - 6		6.00
65	0910100003	PLUG DIN0910-M 10X1	ONLY FOR LC4 ADVENTURE	1.00
66	0603100141	sealing ring DIN 7603 10x14x1	ONLY FOR LC4 ADVENTURE	1.00
67	0908120153	threaded plug DIN 908 M12x1.5	DUKE	1.00
68	0770100020	o-ring 10.00x2.00 silicone	ONLY FOR LC4 ADVENTURE	1.00