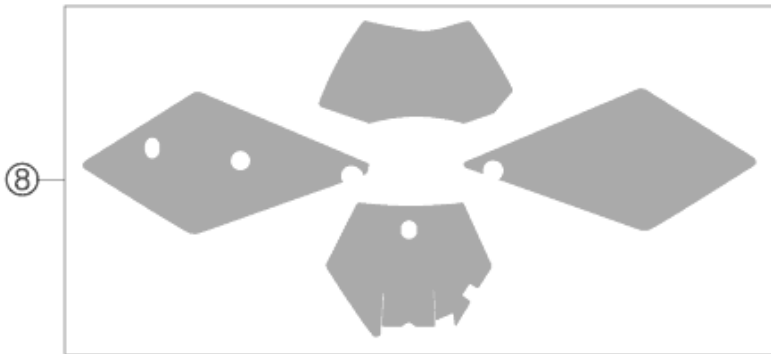


⑥



⑦

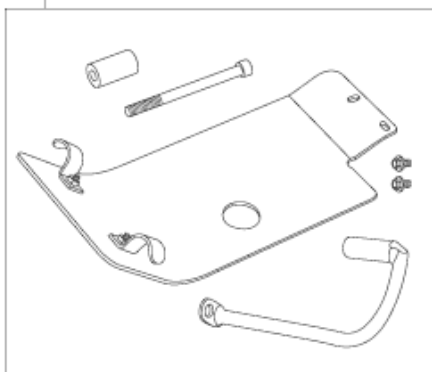


⑧

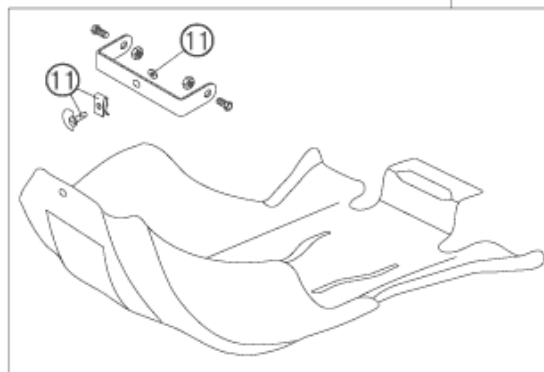


②

⑨



⑩



Pos	Part Number	Description	Additional Text	Quantity
2	59002002000	HANDLEBAR PAD 05		1.00
6	5480207900004	HAND GRD CPL. L/S+R/S ORA.03		1.00
6	5480207900030	HAND GUARD L/S+R/S BLA.03	NOT FOR FS	1.00
7	6000207910004	HANDGUARD L/S+R/S CPL.ORANGE		1.00
7	6000207910030	HANDGUARD L/S+R/S CPL.BLCK		1.00
8*	5480808820020	NUMBER PLATE BACKGR. SX/EXC 05		1.00
8*	5480808820030	NO.PLATE BACKGROUND SX/EXC05		1.00
8*	5480808820038	NO. PLATE BACKGR. REDSX/EXC 05		1.00
8*	5480808820080	NO.PLATE BACKGROUND SX/EXC 05		1.00
9	59003090400	SKID PLATE CPL. RACING		1.00
10	59003090600	SKID PLATE PLASTIC		1.00
11	59003090350	QUICK RELEASE 03		1.00

* = New part