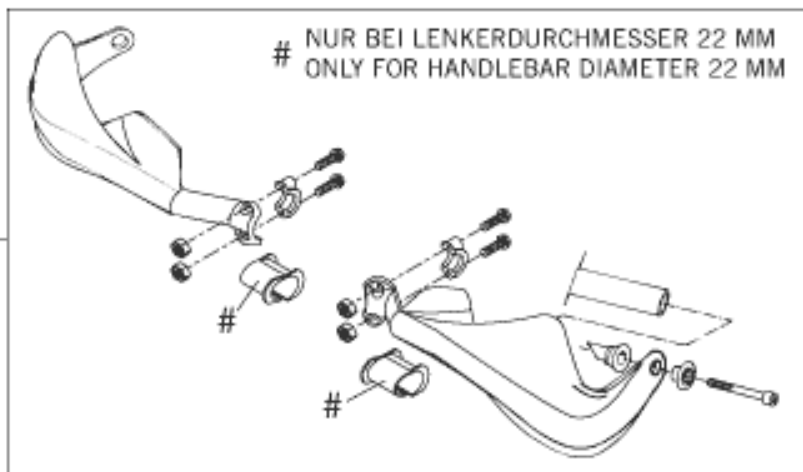
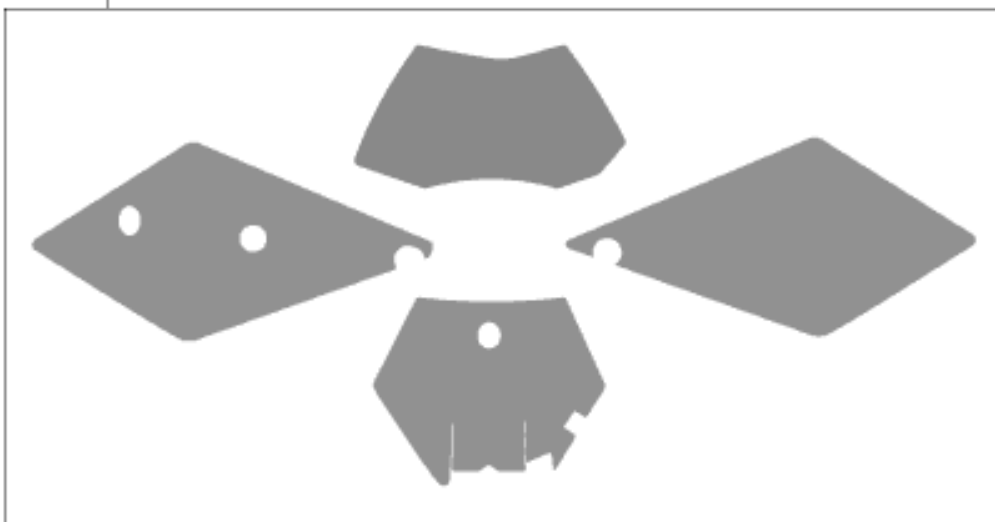


6



7

8



Pos	Part Number	Description	Additional Text	Quantity
2	59002002000	HANDLEBAR PAD 05		1.00
6	5480207900004	HAND GRD CPL. L/S+R/S ORA.03		1.00

6	5480207900030	HAND GUARD L/S+R/S BLA.03	NOT FOR FS	1.00
7*	6000207910004	HANDGUARD L/S+R/S CPL.ORANGE		1.00
7*	6000207910030	HANDGUARD L/S+R/S CPL.BLCK		1.00
8*	5480808820020	NUMBER PLATE BACKGR. SX/EXC 05		1.00
8*	5480808820030	NO.PLATE BACKGROUND SX/EXC05		1.00
8*	5480808820038	NO. PLATE BACKGR. REDSX/EXC 05		1.00
8*	5480808820080	NO.PLATE BACKGROUND SX/EXC 05		1.00
14*	54814073000	TRIPMASTER-SWITCH 05		1.00
18	0965040125	FLAT HEAD SCREW DIN0966-M 4X20		1.00
20	50314068050	CLAMP FOR TRIPMASTER-SWITCH 03		1.00
22	0017060203	EJOT PT SCREW K60X20 WS=6	MXC, EXC	1.00
23	0934040003	HEXAGON NUT DIN0934-M 4		1.00

\* = New part