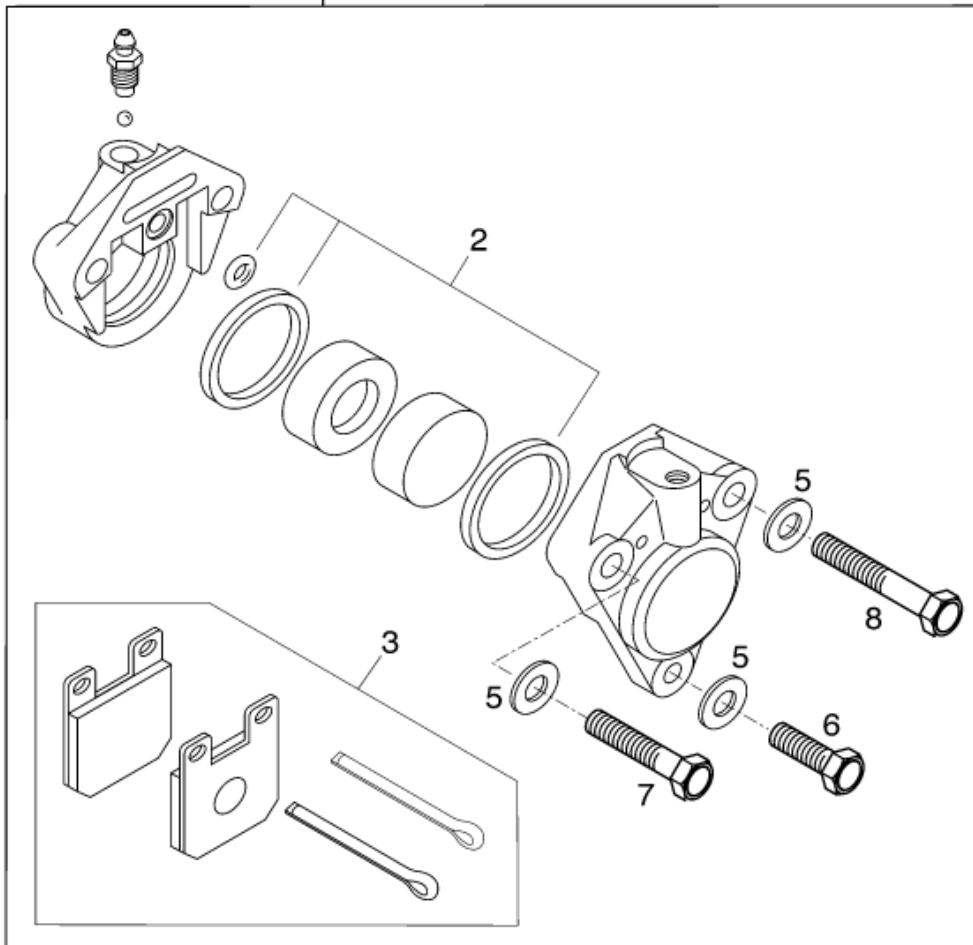


1



Pos	Part Number	Description	Additional Text	Quantity
1	46013015000	* BRAKE CALIPER CPL. FRT 60/65		1.00
2	46013019000	REP. KIT PISTON BRAKE CALIPER		1.00
3	46013016000	BRAKE PAD SET GRIMECA		1.00
5	0125080003	washer DIN 125 A -8.4		3.00
6	0015080253	HH COLLAR SCREW M 8X25 WS=10		1.00
7	0015080403	HH COLLAR SCREW M 8X40 WS=10		1.00
8	0015080503	HH COLLAR SCREW M 8X50 WS=10	FE, FS	1.00
10*	46013010200	BRAKE HOSE FR.790MM 60/65 2000		1.00
70	50213025000	HOLLOW SCREW M10X1X19	FC, FE+FS (USA)	1.00
71	42013026000	CU-SEAL RING DIN7603-10X16X1,5		1.00
72	42013226000	CU-SEAL RING DIN7603-10X16X1		1.00

\* = New part