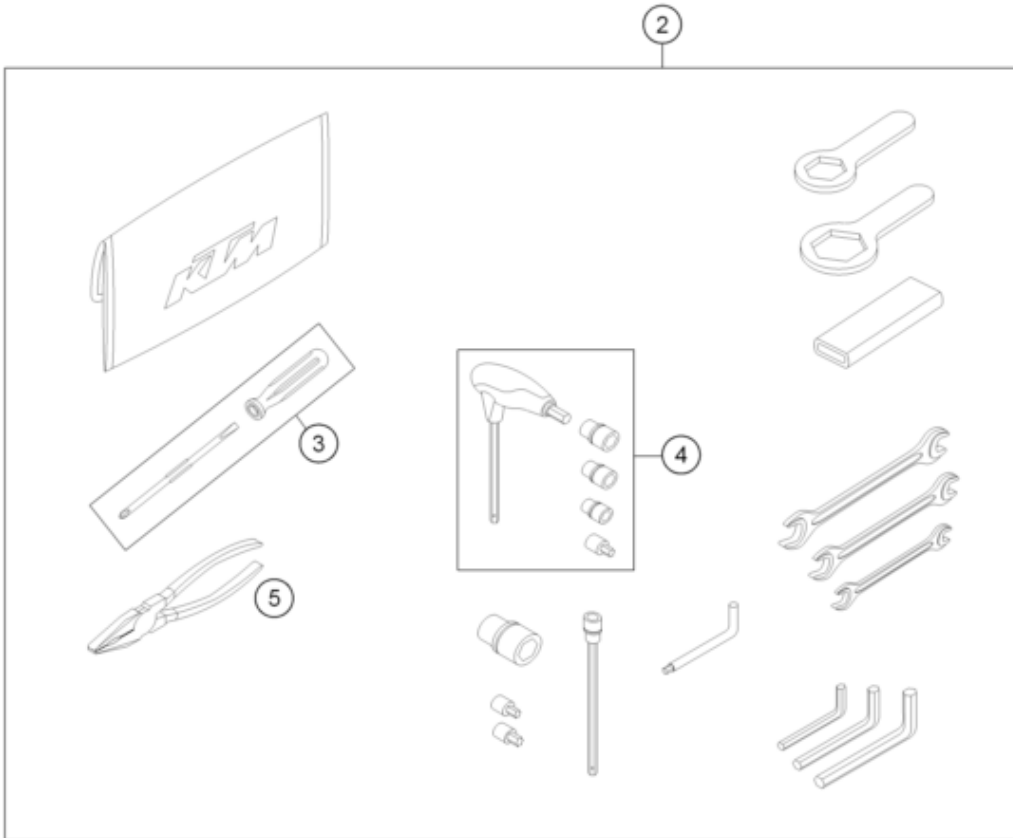


0
OHNE ABBILDUNG
WITHOUT ILLUSTRATION

1
TECHNISCHE DOKUMENTATION
TECHNICAL DOCUMENTATION
DOCUMENTACION TECNICA
DOCUMENTATION TECHNIQUE
NOTE TECNICHE



| Pos | Part Number | Description | Additional Text | Quantity |
|-----|-------------|--------------------------------|-----------------|----------|
| 0 | 00063004105 | 950 ADV. CARTON F WIND PROT. | | 1.00 |
| 0 | 60708208000 | Windshield short EU | | 1.00 |
| 0 | 00063099111 | BAG FOR INSTR. MANUAL 245X170 | | 1.00 |
| 0 | 58412080200 | reflector, red | | 1.00 |
| 0 | 0024060156 | HH collar screw M6x15 TX30 | ONLY USA | 2.00 |
| 0 | 58412080050 | BRACKET FOR REFLECTOR | | 1.00 |
| 0 | 0024060206 | HH collar screw M6x20 TX30 | | 2.00 |
| 0 | 40006006000 | WASHER 6MM | | 2.00 |
| 0 | 0966050163 | OVAL HEAD SCREW DIN0966-M 5X16 | | 2.00 |
| 0 | 0125050003 | WASHER DIN0125-A 5,3 | | 2.00 |
| 0 | 0985050003 | Self locking nut DIN 985 M5 | | 2.00 |
| 0 | 312305 | DOCUMENTS BAG 2006 | | 1.00 |
| 0 | 3210040 | CUSTOMER WELCOME LETTER | | 1.00 |
| 0 | 312313 | KTM BALLPOINT PEN ORANGE | | 1.00 |
| 0 | 00063004202 | PRINT LABEL 60X51 MM | | 1.00 |
| 0 | 60012081200 | license plate mouning plate | FOR AUS ONLY | 1.00 |
| 0 | 0021060003 | Washer DIN9021-A 6.4 | ONLY USA | 2.00 |
| 0 | 0985060003 | Self lock. nut DIN985-M6-A2 | | 4.00 |
| 0 | 0125060003 | WASHER DIN0125-A 6,4 | | 4.00 |

| | | | | |
|---|---------------|--------------------------------|----------|------|
| 0 | 45239060050 | COLLAR BUSHING 6,3X8X13X9,5 | | 2.00 |
| 0 | 60312040100 | MIRROR | | 2.00 |
| 0 | 6030319000030 | SKID PLATE ADV | | 1.00 |
| 0 | 60003096000 | VIBRATION DAMPER 03 | | 2.00 |
| 0 | 0025060406 | HH collar screw M6x40 TX30 | | 2.00 |
| 0 | 00063004012 | HEADLIGHT MASK BOX | | 1.00 |
| 0 | 3212683ENE | PW STREET FOLDER 2016 | | 1.00 |
| 0 | 3212678DE/ENE | PP STREET FOLDER 2016 | | 1.00 |
| 0 | 69014017000 | SPECIAL SCREW M6X18 ISA30 08 | | 2.00 |
| 0 | 60335040000 | RADIATOR PROTECTOR | ONLY AUS | 1.00 |
| 0 | 60312968344EB | Crash bars | | 1.00 |
| 0 | 60714089000 | Decal radio certification inst | | 1.00 |
| 0 | 60708008070 | rubber bush windshield fixatio | | 4.00 |
| 0 | 60708008071 | Special screw M5x14 | | 4.00 |
| 1 | 3213541EN | Owner's Man. 1290 Super Advent | | 1.00 |
| 2 | 60329099000 | TOOL KIT | | 1.00 |
| 3 | 53012024100 | SCREW DRIVER L=105MM | | 1.00 |
| 4 | 60029070300 | T-WRENCH WS=6/8/10/TX45/SK4X1 | | 1.00 |
| 5 | 53012028200 | GRIP ORANGE B&F | | 1.00 |