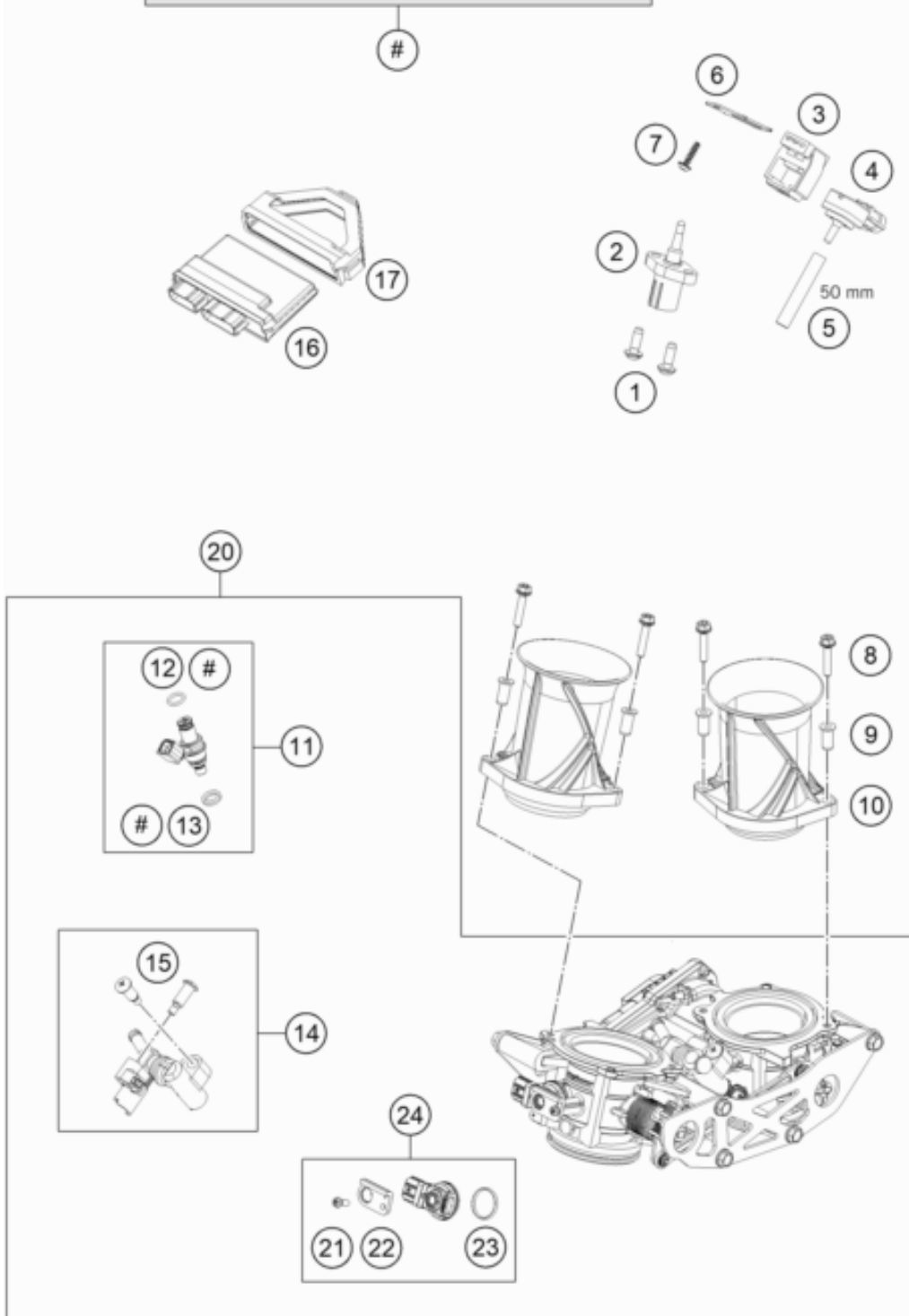


ENTHALTEN IM DICHTSATZ MOTOR KPL.
 INCLUDED IN GASKET-SET ENGINE CPL.



Pos	Part Number	Description	Additional Text	Quantity
1	0081050161	EJOT PT SCREW K50X16 1451		2.00
2	61041080000	AMBIENT-AIR TEMPERATURE SENSOR		1.00
3	61041085150	RUBBER SUPP. PRESSURE SENS. 06		1.00
4	61041085100	PRESSURE SENSOR 06		1.00
5	60031098001	HOSE 3,2X8,5 PER METER		0.00
6	61311085050	SUPPORT VACUUM SENSOR		1.00
7*	0081050141	EJOT PT screw K50x14		1.00
8	0025050256S	HH collar screw M5x25 TX30		4.00

9	60306042010	Bushing intake funnel		4.00
10*	61641040100	Velocity stack l=80		2.00
11	60341023044	FUEL INJECTOR CPL.		2.00
12	60341023020	O-RING		2.00
13	75041023010	SEAL RING		2.00
14	60341013044	FUEL PIPE CPL.		1.00
15	75041013060	SCREW SHOULDER		2.00
16*	61341031300	Control unit EFI		1.00
17	60341031050	ECU RUBBER BRACKET		1.00
20	61341001000	THROTTLE BODY		1.00
21	75041085030	SCREW WASHER		1.00
22	75041085020	PLATE, STAY		1.00
23	75041085010	O-RING		1.00
24	75041085044	MAP SENSOR CPL. 07		1.00

* = New part