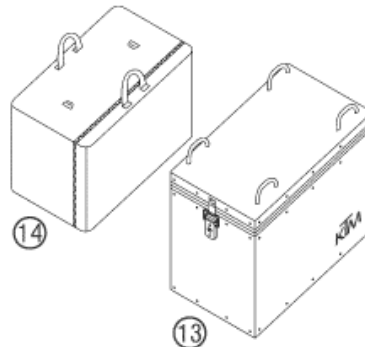


19



14

13

(OHNE ABBILDUNG / WITHOUT ILLUSTRATION)

15 GEPÄCKTRÄGER-SYSTEM KPL. (STAHLROHR)
SUITCASE CARRIER SYSTEM CPL. (STEEL TUBE)

16 GEPÄCKTRÄGER EINZELTEILE
SUITCASE CARRIER SINGLE PART

17 GEPÄCKHACKEN-SET
LUGGAGE BRACKET

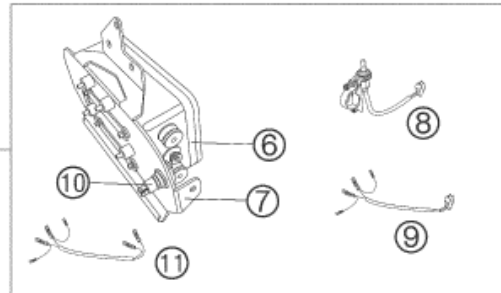
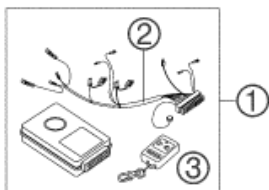
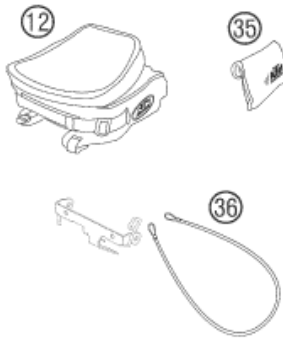
18 BENZINHAHN (FÜR WASSER)
FUEL COCK (FOR WATER)

ERSATZSCHLÜSSEL AUF ANFRAGE (SCHLÜSSEL CODE)
SPARE KEY ON REQUEST (KEY CODE)

(OHNE ABBILDUNG / WITHOUT ILLUSTRATION)

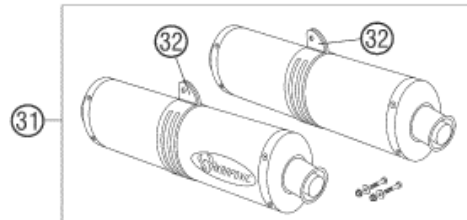
15 GEPÄCKTRÄGER-SYSTEM KPL. (STAHLROHR)
SUITCASE CARRIER SYSTEM CPL. (STEEL TUBE)

16 GEPÄCKTRÄGER EINZELTEILE
SUITCASE CARRIER SINGLE PART



(OHNE ABBILDUNG / WITHOUT ILLUSTRATION)

20 MONTAGE KIT (U-BLECH, SCHRAUBEN, DISTANZEN)
MOUNTING KIT (U-BRACKET, SCREWS, SPACER)



(OHNE ABBILDUNG / WITHOUT ILLUSTRATION)

33 REPARATUR-KIT (DÄMMSTOFF, NIETEN, TITANHÜLLE)
REP-KIT (STUFFING YARN, RIVET, TITAN JACKET)

34 DÄMMSTOFF
STUFFING YARN

| Pos | Part Number | Description | Additional Text | Quantity |
|-----|-------------|--------------------------------|-----------------|----------|
| 1 | 60012035000 | ALARM SYSTEM LC8 CPL. 03 | | 1.00 |
| 2 | 60012036000 | WRING HARNESS ALRM SYSTEM 03 | | 1.00 |
| 3 | 60012037000 | SPARE REM. COTR. ALARM SYS.03 | | 1.00 |
| 4 | 58214069044 | TRIPMASTER SWITCH CPL. ADV. 02 | | 1.00 |
| 5 | 60012073044 | ROADBOOK CARRIER KIT CPL. 03 | | 1.00 |
| 6 | 60012073000 | ROADBOOK LOOSE 03 | | 1.00 |
| 7 | 60012073050 | ROADBOOK BRACKET 03 | | 1.00 |
| 8 | 60012073080 | REMOTE CONTROL ROADBOOK 03 | | 1.00 |
| 9 | 60012073060 | WIRING HARNESS ROADBOOK 03 | | 1.00 |
| 10 | 60011042000 | VEHICLE ELECTRICS CONNECTOR 03 | | 1.00 |
| 11 | 60011042050 | WRNG HAR. VEH.ELECTR.CON. 03 | | 1.00 |

| | | | | |
|-----|-------------|--------------------------------|-----|------|
| 12 | 60012019000 | % TANK BAG 950 ADVENTURE | | 1.00 |
| 13 | 60012024000 | ALUMINUM CASE 35 LITER 03 | | 2.00 |
| 13 | 60012024100 | ALUMINUM CASE 41 LITER 03 | | 2.00 |
| 14 | 58412010350 | % INSIDE POCKET 35 L | L/S | 2.00 |
| 14 | 58412010351 | % INSIDE POCKET 41 L | R/S | 2.00 |
| 15 | 60012020000 | % SUITCASE CARRIER SYSTEM 03 | | 1.00 |
| 16 | 60012020050 | % CASE RACK LEFT 03 | | 1.00 |
| 16 | 60012020060 | % CASE RACK RIGHT 03 | | 1.00 |
| 16 | 60012020070 | CONNECTING COMPONENT 03 | | 1.00 |
| 16 | 60012020080 | MOUNTING KIT CASE RACK 03 | | 1.00 |
| 17 | 60012025090 | LUGGAGE BRACKET SET 03 | | 2.00 |
| 18 | 58507003000 | FUEL COCK CPL. SM. RALLYE'96 | | 2.00 |
| 19 | 60012025000 | % CASE SET ADVENTURE | | 1.00 |
| 20* | 60012073070 | MOUNTING KIT ROADBOOK 03 | | 1.00 |
| 31 | 60005099000 | SILENCER-SET TITANIUM LS+RS 03 | | 1.00 |
| 32 | 60005099001 | CARBON CLAMP 03 | | 2.00 |
| 33 | 60005099002 | REPAIR-KIT | | 2.00 |
| 34 | 58705099202 | STUFFING YARN KIT 03 | | 2.00 |
| 35 | 60029099000 | TOOL SET LC8 03 | | 1.00 |
| 36* | 60012015000 | HELMET LOCK 04 | | 1.00 |

* = New part