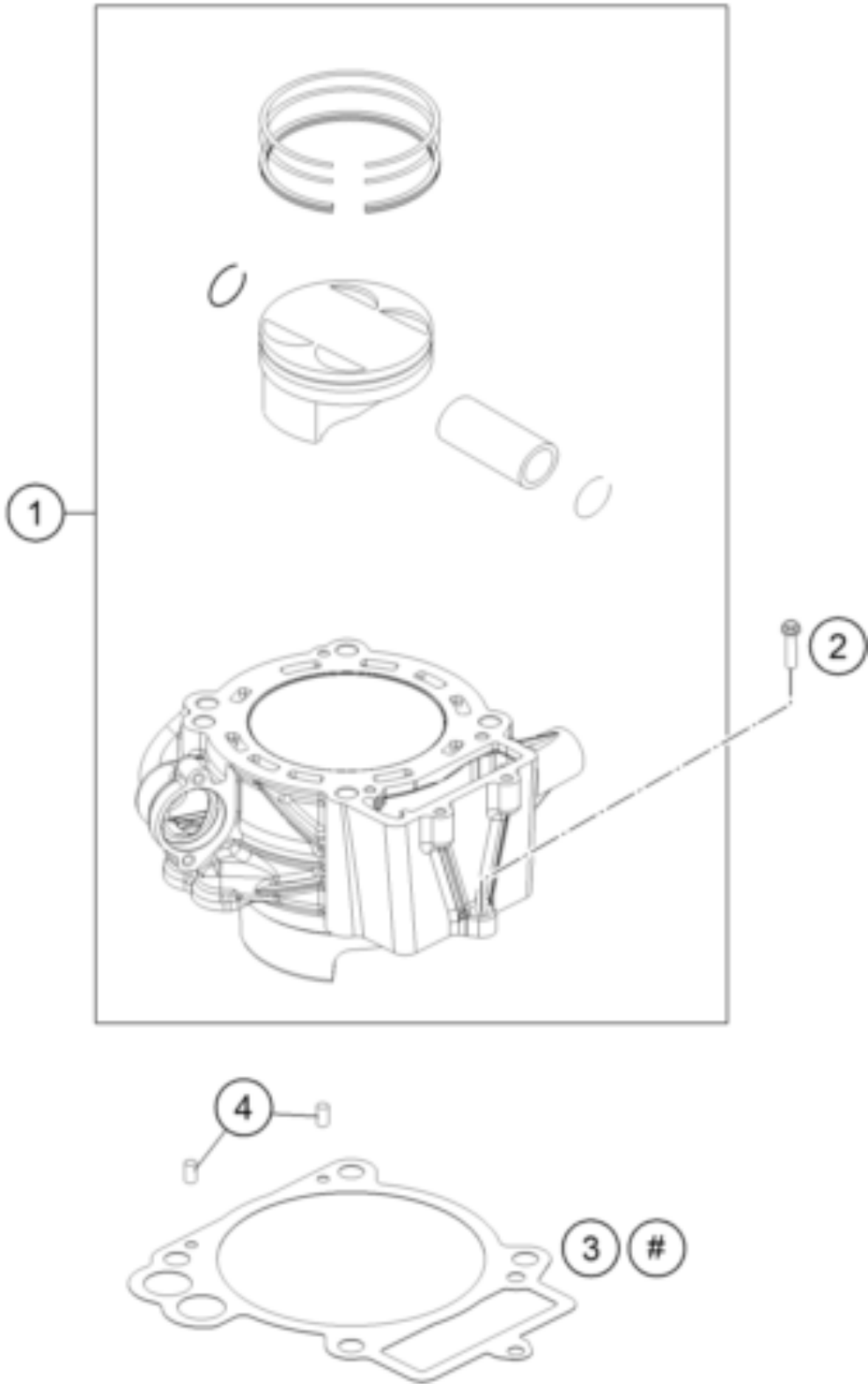


# ENTHALTEN IM DICHTSATZ MOTOR LC4  
INCLUDED IN GASKET-SET ENGINE LC4



Pos	Part Number	Description	Additional Text	Quantity
1*	7663003810024	Cylinder + piston		1.00
2	0025060256	HH collar screw M6x25 TX30		1.00

3*	76630035000	CYLINDER BASE GASKET		1.00
4*	59030023000	dowel sleeve 6x8x11.5		2.00

\* = New part