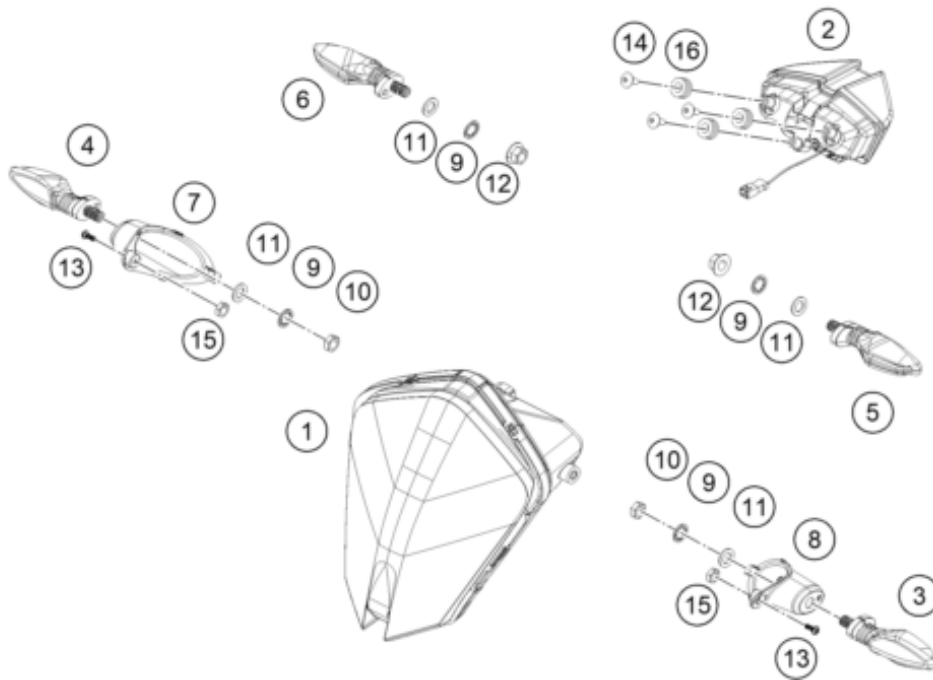


Skalierung: 25% 75%



| Pos | Part Number   | Description                    | Additional Text | Quantity |
|-----|---------------|--------------------------------|-----------------|----------|
| 1   | 95814001000   | LAMP HEAD                      |                 | 1.00     |
| 2   | 63514040000   | Tail light                     |                 | 1.00     |
| 3   | 91214025000   | FLASHER L/S                    |                 | 1.00     |
| 4   | 91214026000   | FLASHER R/S                    |                 | 1.00     |
| 5   | 95814026000   | INDICATOR REAR LH              |                 | 1.00     |
| 6   | 95814025000   | INDICATOR REAR RH              |                 | 1.00     |
| 7   | 95814011090   | Turn signal bracket, right, EU |                 | 1.00     |
| 8   | 95814010090   | Turn signal bracket, left      |                 | 1.00     |
| 9   | J06797100183  | Toothed washer, M10            |                 | 4.00     |
| 10  | J934100006    | Nut hex thin-M10x1.25          |                 | 2.00     |
| 11  | J125100009    | Washer M10                     |                 | 4.00     |
| 12  | J926100003    | nut-hex-flanged                |                 | 2.00     |
| 13  | J005050121    | Oval head screw M5X12          |                 | 2.00     |
| 14  | J900000401200 | screw tapping-dia. 4.5xl 12xbr |                 | 3.00     |
| 15  | J934050003    | nut hex thin-m5x0.8xht.3.2xbri |                 | 2.00     |
| 16  | 93014017000   | Rubber bushing                 |                 | 4.00     |