

FEDER / SPRING / RESSORT

Weich/soft/douce



WP 48

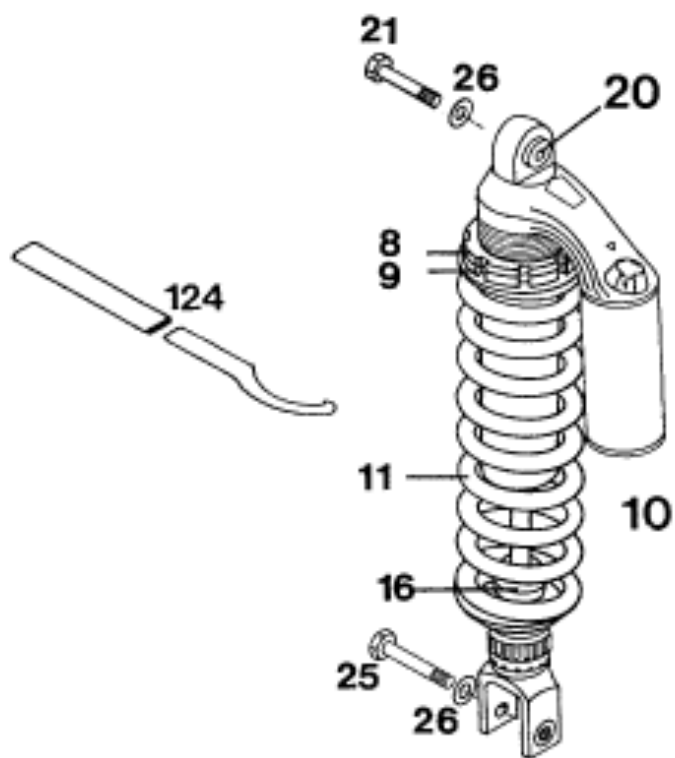
WP 50

WP 52

Hart/hard/dure

WP 54

WP 56



| Pos | Part Number | Description | Additional Text | Quantity |
|-----|-------------|-------------------------------|-----------------|----------|
| 8 | 54204109000 | * COUNTER NUT | | 1.00 |
| 9 | 54204009000 | ADJUSTING NUT | | 1.00 |
| 10* | 50204610400 | * SHOCK ABSORBER K1 M 94 | | 1.00 |
| 10* | 50204610500 | SHOCK ABSORBER K1 E 94 | | 1.00 |
| 10 | 50204610100 | * SHOCK ABSORBER K1 MS 93 | | 1.00 |
| 10 | 50204610300 | * SHOCK ABSORBER K1 GE 93 | | 1.00 |
| 10* | 56504510000 | SHOCK ABSORBER K45M94 440/550 | | 1.00 |
| 11 | 50104011046 | * SPRING 46-280 | | 0.00 |
| 11 | 50104011048 | * SPRING 48-280 | | 1.00 |

| | | | | |
|-----|-------------|-------------------------------|-------------------|------|
| 11 | 50104011050 | * SPRING 50-280 | | 0.00 |
| 11 | 50104011052 | * SPRING 52-280 | | 0.00 |
| 11 | 50104011054 | * SPRING 54-280 | | 1.00 |
| 16 | 54404016000 | * RUBBER STOP | | 1.00 |
| 20 | 54204020100 | BUSHING CPL. D=24MM B=24MM | | 1.00 |
| 21 | 56503086000 | SPECIAL SCREW M10X47 WS=17 | | 1.00 |
| 22 | 54310086100 | SELF LOCKING NUT M10 CU WS=14 | | 0.00 |
| 25 | 56503093000 | SPECIAL SCREW M10X55 WS=17 | | 1.00 |
| 26 | 0125100003 | washer DIN 125 A 10.5 | ONLY FOR 640 DUKE | 2.00 |
| 124 | 54312024000 | HOOK WRENCH CPL. | | 2.00 |

* = New part