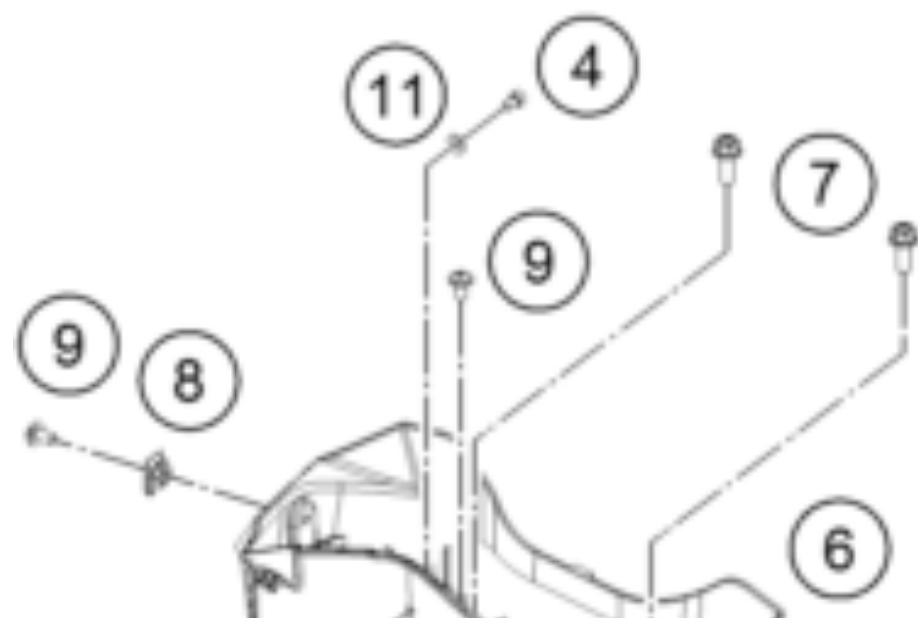
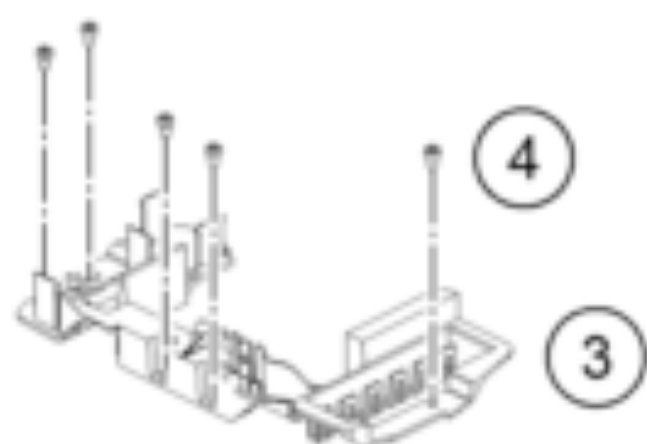
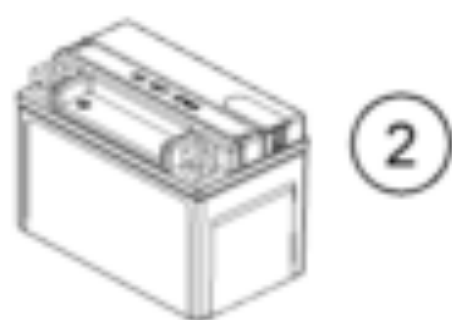




RC 390, white - B.D. 2021 <2021><AU><F5360U1>  
BATTERY  
17790

---



| Pos | Part Number | Description                | Additional Text | Quantity |
|-----|-------------|----------------------------|-----------------|----------|
| 1   | 90511054001 | BRACKET RUBBER FOR BATTERY |                 | 1.00     |
| 2   | 90611053000 | BATTERY 12V/8AH            |                 | 1.00     |
| 3   | 90511055000 | BATTERY BRACKET            |                 | 1.00     |
| 4   | 90511054002 | AH SCREW M5X8              |                 | 6.00     |
| 5   | 90511054000 | RUBBER BATTERY BRACKET     |                 | 1.00     |
| 6   | 90508024000 | BATTERY CASE               |                 | 1.00     |
| 7   | J025080203  | HH COLLAR SCREW M8X20 SW12 |                 | 2.00     |
| 8   | 90103097000 | clip nut                   |                 | 2.00     |
| 9   | 90508006001 | SOCKET HEAD BOLT M6X12     |                 | 3.00     |
| 10  | 90508048000 | PLUG COVER                 |                 | 1.00     |
| 11  | J125050005  | WASHER M5                  |                 | 1.00     |