



| | | | | | | | |
|----|----|----|----|----|----|----|----|
| 2 | 3 | 4 | 5 | 6 | 7 | 10 | 11 |
| 12 | 13 | 14 | 15 | 16 | 17 | 18 | 19 |
| | | | | | 20 | 21 | 22 |
| | | | | | 23 | 24 | |

1

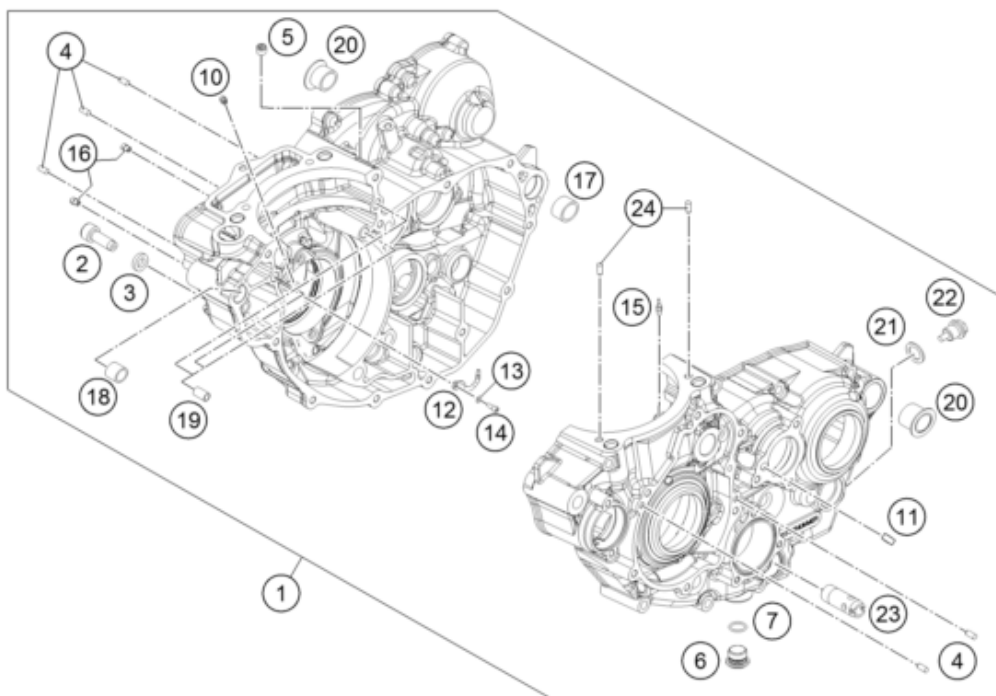
8x 0019 050106,
5x 590.30.196.000,
1x 0018 050103,
1x 0912 060163
1x 0912 060404,
6x 750.30.085.000,
1x 780.33.132.000,
1x 590.33.018.000,
1x 590.40.028.000,
1x 770.38.013.100,
1x 772.38.061.050,
1x 772.33.088.000,
1x 800.30.058.060

+ WELLENDICHTRINGE / SEAL RINGS

1x 0760 324571,
1x 0760 405560,
1x 0760 142460

+ LAGER / BEARINGS

2x 773.30.082.200,
2x 546.32.095.000,
1x 772.30.058.000, 0625 160041,
490.30.023.000, 0625 618050,
0625 062054, 0625 062035



| Pos | Part Number | Description | Additional Text | Quantity |
|-----|-------------|-------------------------------|------------------|----------|
| 1* | 77730000244 | ENGINE CASE CPL. 350 | | 1.00 |
| 2 | 58030080000 | LOCATING SCREW M8 L=23 | 450/525 MXC, EXC | 1.00 |
| 3 | 58030081000 | CU-SEAL RING 8 X 14 X 3 | | 1.00 |
| 4 | 0402040980 | Needle roll.DIN5402 NRB 4X9.8 | | 5.00 |
| 5 | 0906100100 | pipe plug DIN 906 M10x1 | | 1.00 |
| 6 | 78036081000 | HOLDING BOLT M14X1,5 | | 1.00 |
| 7 | 0770110015 | O-ring 11x1.5 VITON | | 1.00 |
| 8 | 0025060556 | HH collar screw M6x55 TX30 | | 6.00 |
| 9 | 0025060656 | HH COLLAR SCREW M6X65 TX30 | | 4.00 |
| 10 | 80030058060 | OIL JET "60" M4 | | 1.00 |
| 11 | 77230066000 | THROTTLE M5X10X0,5 | | 1.00 |

| | | | | |
|----|-------------|--------------------------------|------------------------------|------|
| 12 | 77830064050 | OIL JET CURVED " 50 " | | 1.00 |
| 13 | 0770035020 | O-RING 3,5X2,00 NBR | | 1.00 |
| 14 | 0912040103 | AH.SCREW DIN0912-M 4X10 | | 1.00 |
| 15 | 60030063050 | oil jet 50 M5 | | 1.00 |
| 16 | 59030058000 | JET 100 BING(44-031/180) M4 | | 2.00 |
| 17 | 59030024000 | DOWEL 17 X 19 X 12 | | 1.00 |
| 18 | 54630027000 | DOWEL BUSHING 13,8X11X12 | | 1.00 |
| 19 | 59030023000 | dowel sleeve 6x8x11.5 | | 3.00 |
| 20 | 75030010100 | CASE BUSH | | 2.00 |
| 21 | 58038022000 | CU-seal ring DIN7603-12X18X1.5 | | 1.00 |
| 22 | 58030021000 | OILDRAIN PLUG W.MAG. M 12X1,5 | | 1.00 |
| 23 | 77038022000 | OIL INTAKEPIPE | | 1.00 |
| 24 | 0402050080 | CYLINDER ROLLER ZRO 5X8 | | 2.00 |
| 25 | 0025060856 | HH COLLAR SCREW M6X85 TX30 | ONLY FOR CASE 77230000144 | 2.00 |
| 60 | 77830099000 | GASKET SET 350 SX-F | | 1.00 |

* = New part