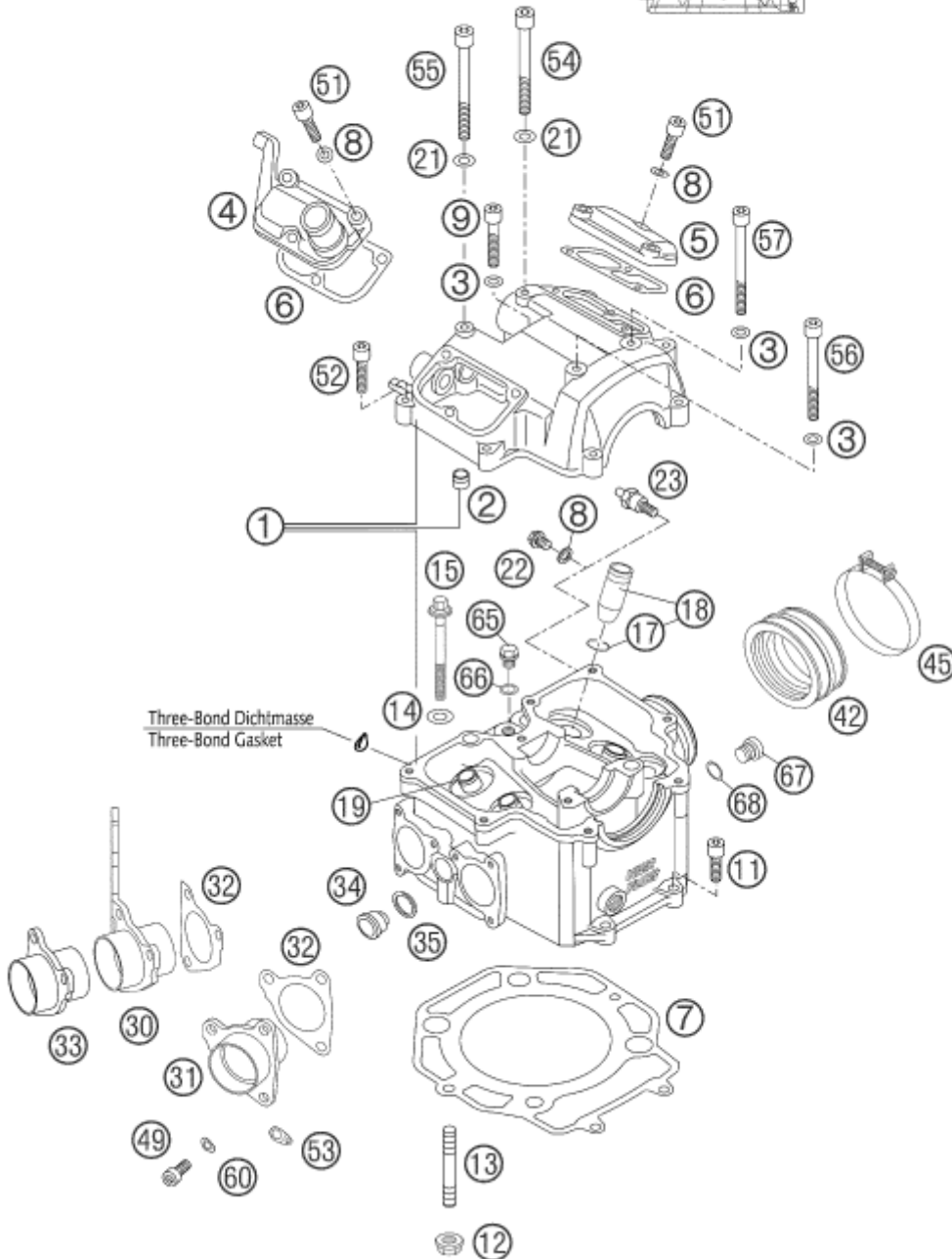
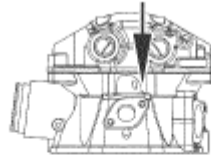


G = 660 ccm



| Pos | Part Number | Description | Additional Text | Quantity |
|-----|---------------|------------------------------|-----------------|----------|
| 1* | 5863602010023 | CYLINDER HEAD CPL. SM SAS 04 | | 1.00 |
| 2 | 58530090000 | DOWEL BUSHING 9,8X7,2X10 | NOTCH, MARKING | 1.00 |
| 3 | 58036065100 | CU-SEAL RING 6 X 10 X 2 | | 3.00 |
| 4 | 58036152600 | VALVE COVER FRONT '99 | | 1.00 |
| 5 | 58036052000 | VALVE COVER REAR | | 1.00 |
| 6 | 58036053000 | VALVE COVER GASKET | | 2.00 |
| 7 | 58530036000 | CYLINDER HEAD GASKET 102,3MM | | 1.00 |
| 8 | 0603061001 | CU-SEAL RING DIN7603-6X10X1 | | 7.00 |

| | | | | |
|-----|-------------|--------------------------------|-------------------------|------|
| 9 | 0912060353 | AH SCREW DIN0912-M 6X35 | | 1.00 |
| 11 | 0912060253 | AH SCREW DIN0912-M 6X25 | | 2.00 |
| 12 | 49030028000 | COLLAR NUT M8 | | 2.00 |
| 13 | 54330043000 | STUD DIN0835-M 8X40 | 600/612/620/640/660 LC4 | 2.00 |
| 14* | 0125100003 | washer DIN 125 A 10.5 | ONLY FOR 640 DUKE | 4.00 |
| 15 | 58036099100 | COLLAR SCREW M10X80 WS=13 10.9 | | 4.00 |
| 17 | 0993012000 | CIRCLIP DIN7993-RW12 | | 4.00 |
| 18 | 58036026644 | VALVE GUIDE INTAKE CPL. | | 2.00 |
| 19 | 58036126644 | VALVE GUIDE EXHAUST CPL. | | 2.00 |
| 21 | 0603070122 | CU-SEAL RING DIN7603- 7X12X2 | | 2.00 |
| 22 | 0015060083 | HH COLLAR SCREW M 6X8 WS=8 | LC4, LC4 SM, DUKE | 0.00 |
| 23* | 58336020190 | VACUUM CONECTION M6/3MM '97 | SECONDARY AIR SYSTEM | 1.00 |
| 30* | 58436039100 | EXHAUST FLANGE CPL. R/S SAS 04 | WITH SAS | 1.00 |
| 31* | 58036140100 | EXHAUST FLANGE L/S | | 1.00 |
| 32 | 58036041000 | EXHAUST FLANGE GASKET | | 2.00 |
| 33* | 58036040100 | EXHAUST FLANGE R/S 04 | WITHOUT SAS | 0.00 |
| 34* | 58336024000 | PLUG SAS BORE | | 0.00 |
| 35* | 58436054000 | CU-SEAL RING 12 X 16 X 2 | | 1.00 |
| 42 | 58536044000 | INTAKE BOOT RALLYE 2001 | EUROPE | 1.00 |
| 45 | 59030061000 | CLAMP D=56MM B=9MM M4X25 | EUROPE | 2.00 |
| 49 | 0912060163 | AH SCREW DIN0912-M 6X16 | | 6.00 |
| 51 | 0912060203 | AH SCREW DIN0912-M 6X20 | | 6.00 |
| 52 | 0912060253 | AH SCREW DIN0912-M 6X25 | | 6.00 |
| 53 | 51005074000 | RETAINING PLATE | | 4.00 |
| 54 | 0912070553 | AH SCREW DIN0912-M 7X55 12.9 | | 1.00 |
| 55 | 0912070603 | AH SCREW DIN0912-M 7X60 12.9 | | 1.00 |
| 56 | 0912060653 | SHCS DIN 912 M6x65 | | 1.00 |
| 57 | 0912060703 | AH SCREW DIN0912-M 6X70 | | 1.00 |
| 60 | 0137060003 | spring washer DIN 137 B - 6 | | 6.00 |
| 65 | 0910100003 | PLUG DIN0910-M 10X1 | ONLY FOR LC4 ADVENTURE | 1.00 |
| 66 | 0603100141 | sealing ring DIN 7603 10x14x1 | ONLY FOR LC4 ADVENTURE | 1.00 |
| 67 | 0908120153 | threaded plug DIN 908 M12x1.5 | DUKE | 1.00 |
| 68 | 0770100020 | o-ring 10.00x2.00 silicone | ONLY FOR LC4 ADVENTURE | 1.00 |

* = New part