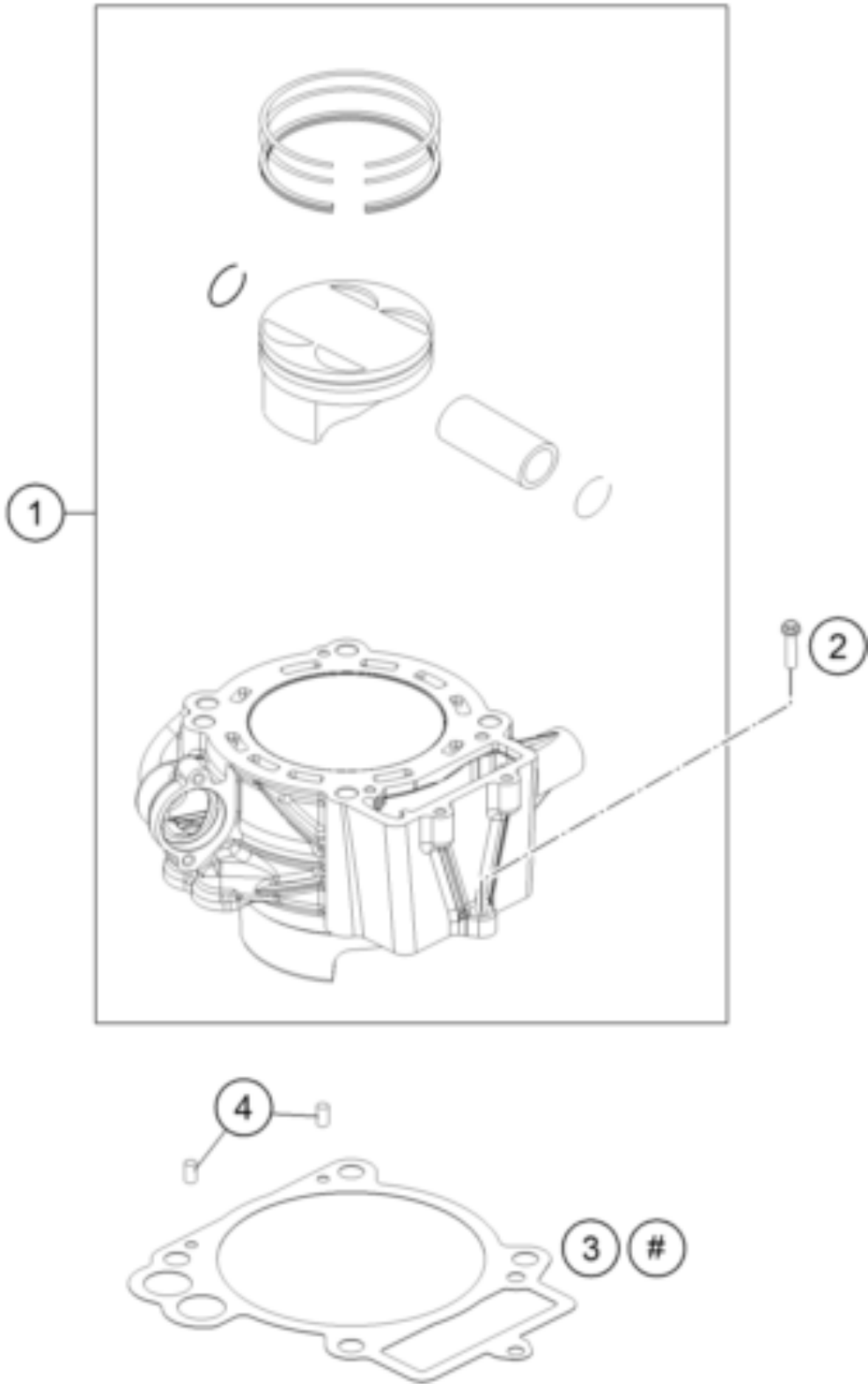


ENTHALTEN IM DICHTSATZ MOTOR LC4
INCLUDED IN GASKET-SET ENGINE LC4



| Pos | Part Number | Description | Additional Text | Quantity |
|-----|-------------|----------------------------|-----------------|----------|
| 1 | 75330038100 | CYLINDER + PISTON D=102 | | 1.00 |
| 2 | 0025060256 | HH collar screw M6x25 TX30 | | 1.00 |

| | | | | |
|---|-------------|--------------------------|--|------|
| 3 | 75030035000 | CYLINDER BASE GASKET 07 | | 1.00 |
| 4 | 0474050100 | GROOVED PIN DIN1474 5X10 | | 2.00 |