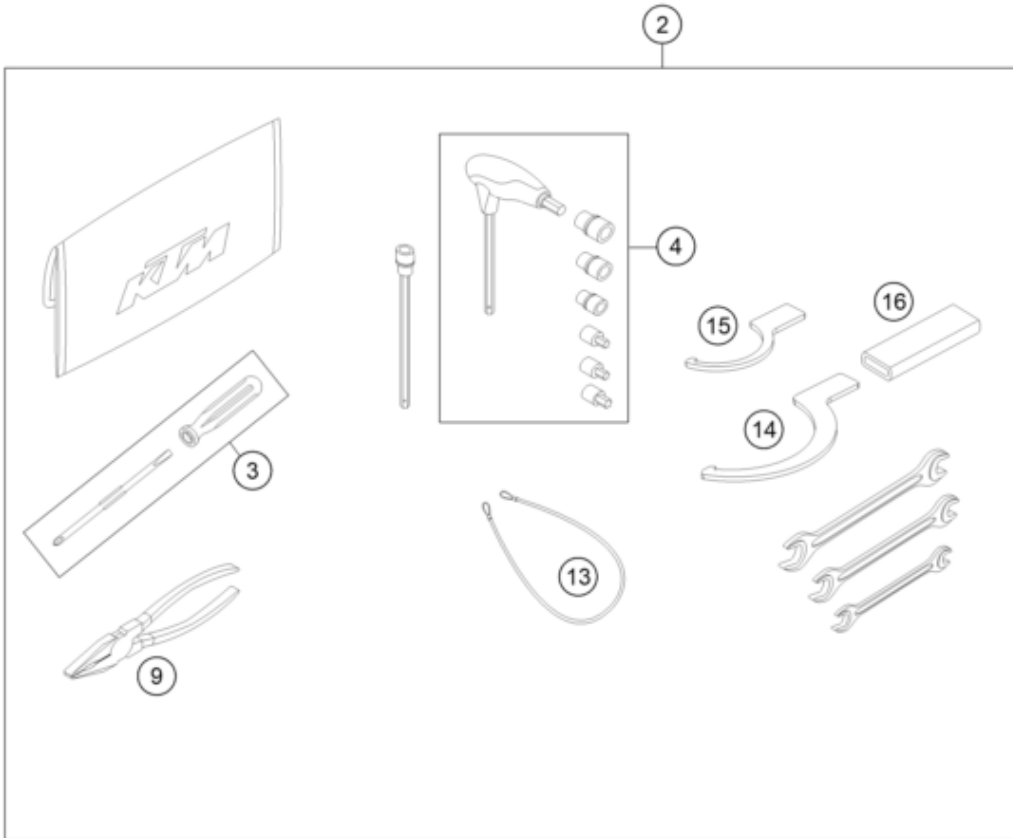


0
OHNE ABBILDUNG
WITHOUT ILLUSTRATION

1
TECHNISCHE DOKUMENTATION
TECHNICAL DOCUMENTATION
DOCUMENTACION TECNICA
DOCUMENTATION TECHNIQUE
NOTE TECNICHE



Pos	Part Number	Description	Additional Text	Quantity
0	61312041100	MIRROR R/S CPL.		1.00
0	61312040100	MIRROR I/S		1.00
0	58412080050	BRACKET FOR REFLECTOR		1.00
0	58412080000	REFLECTOR RED	EU+AUS	1.00
0	0985060003	Self lock. nut DIN985-M6-A2		4.00
0	0021060003	Washer DIN9021-A 6.4	ONLY USA	4.00
0	0125050003	WASHER DIN0125-A 5,3		2.00
0	40006006000	WASHER 6MM		2.00
0	0966050163	OVAL HEAD SCREW DIN0966-M 5X16		2.00
0	0025060206	HH collar screw M6x20 TX30		1.00
0	0025060206	HH collar screw M6x20 TX30		2.00
0	61308023010	SPLASH PROTECTION		1.00
0	0081050121	EJOT PT screw K50x12	only for US and SixDays	4.00
0	312305	DOCUMENTS BAG 2006		1.00
0	3210040	CUSTOMER WELCOME LETTER		1.00
0	312313	KTM BALLPOINT PEN ORANGE		1.00
0	00063004202	PRINT LABEL 60X51 MM		1.00
0	62111059060	COVER POSITIVE POLE		1.00
0	60012081200	license plate mouning plate	FOR AUS ONLY	1.00

0	61308192000	STICKER SET FORK WP SMALL		1.00
0	3212584DE/GB	PP 1290 SD-R CHAPTER FOLDER 14		1.00
0	3212601GB	POWER WEAR FOLDER 2015		1.00
0	00063099111	BAG FOR INSTR. MANUAL 245X170		1.00
1	3213274EN	OWN.-MAN. 1290 SUPER DUKE R 15		1.00
2	61329099100	TOOL SET		1.00
3	53012024100	SCREW DRIVER L=105MM		1.00
4	60029070300	T-WRENCH WS=6/8/10/TX45/SK4X1		1.00
9	53012028200	GRIP ORANGE B&F		1.00
13	60012015000	HELMET LOCK 04		1.00
14	61329085000	HOOK WRENCH ECCENTRIC REAR WH.		1.00
15	61329083000	HOOK WRENCH MONOSHOCK		1.00
16	60012060000	GRIP FOR RING WRENCH		1.00