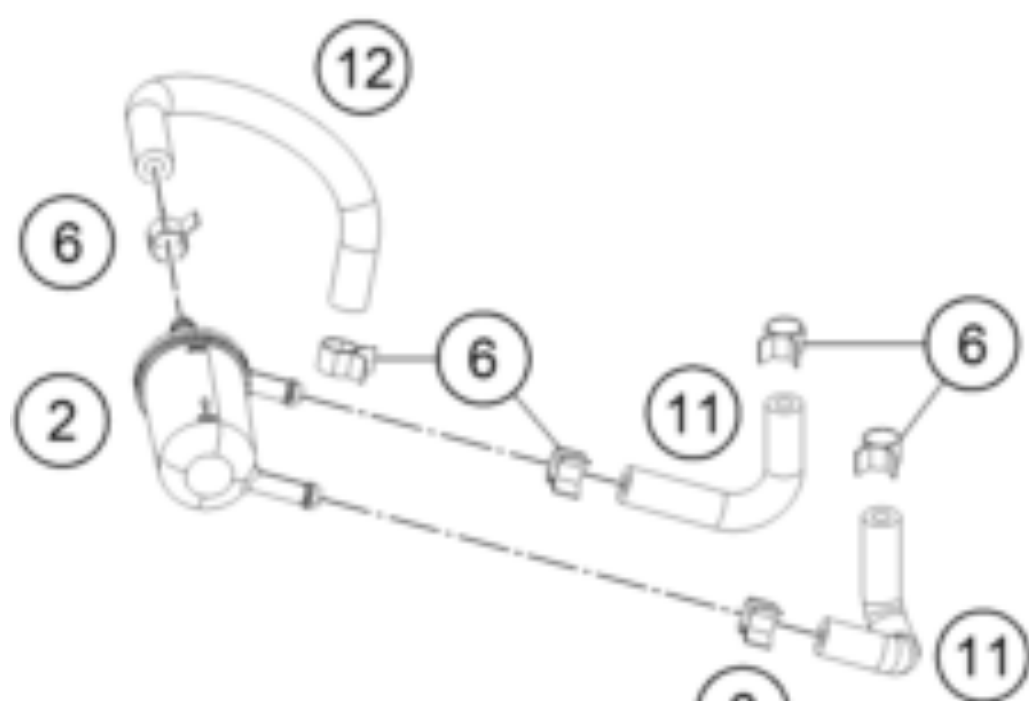
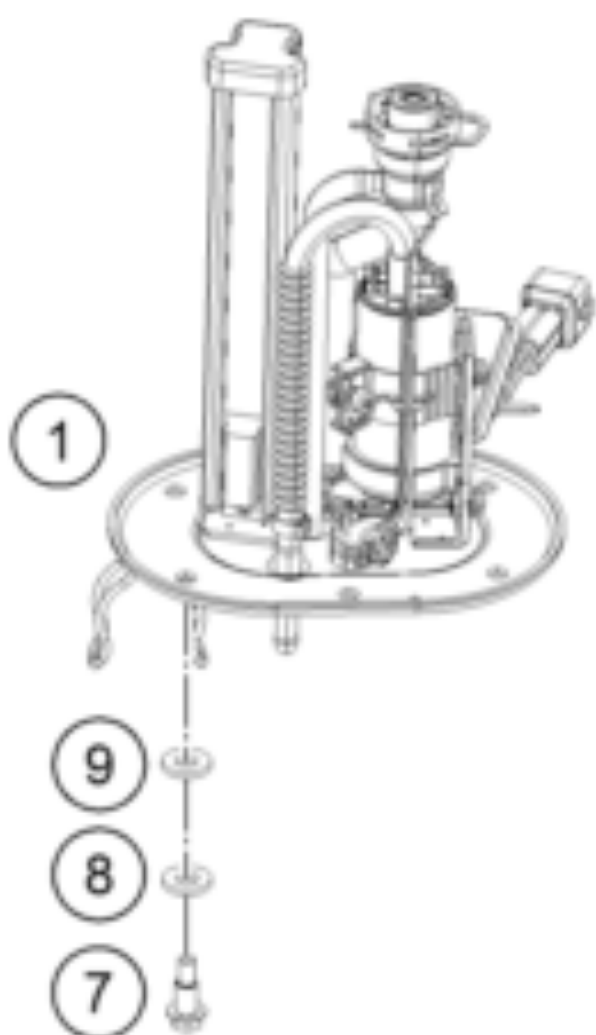




RC 200 BLACK w/o ABS CKD 15 <2015><TH><F518301>
FUEL PUMP
15612



Pos	Part Number	Description	Additional Text	Quantity
1	90507088000	FUEL PUMP		1.00
2	90107018000	FUEL FILTER		1.00
6	90107018011	CLAMP 10MM		6.00
7	90507089110	SPECIAL SCREW FUEL PUMP		6.00
8	90507088030	WASHER FUEL PUMP		6.00
9	90507088020	NYLON WASHER		6.00
10	J770081020	O-RING 81X4		1.00
11	90507018000	FUEL PIPE SHORT		2.00
12	90107018010	FUEL HOSE R9		1.00