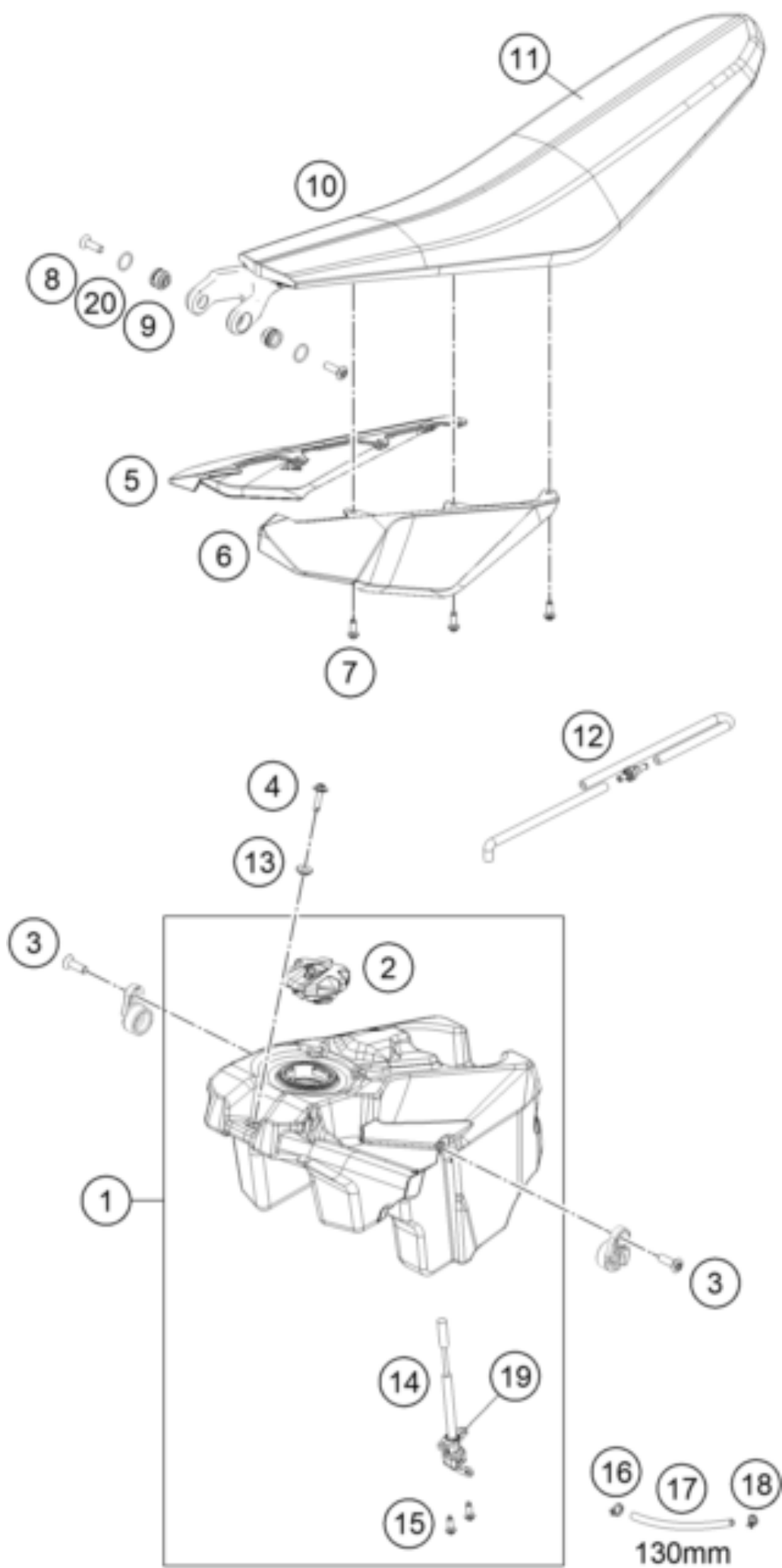




FREERIDE 250 R 2015 <2015><US><F737504>  
TANK, SEAT  
14715

---



Pos	Part Number	Description	Additional Text	Quantity
1	7250701303399	FUEL TANK CPL.		1.00
2	78107008044X4	TANK PLUG CPL. 14		1.00
3	0019080306S	COUNTER-SUNK SCREW ISA45 M8X30		2.00
4	0024060273	COLLAR SCREW M6X27 TX		1.00
5	7000702505128A	AKKU COV.R/S WH.FREER.250/350	WITH DECAL	1.00
6	7000702505028A	AKKUCOVER L/S WH.FREER.250/35	WITH DECAL	1.00
7	0017060206	SCREW F. PLASTIC K60X20AL SW6		6.00
8	0019080266S	COUNTER-SUNK SCREW ISA45 M8X26	ONLY FOR 78003023081	2.00
9	70003001057	BUSHING		2.00
10	70007040100	SEAT HIGH CPL. '13		1.00
11	70007040150	SEAT COVER		1.00
12	72007029000	TANK BREATHER HOSE+VALVE		1.00
13	54808020000	SPACER BUSHING 03	SX, MXC	1.00
14	54807004000	GAS COCK ON/OFF/RES 03	MXC, EXC	1.00
15	0017060205	SCREW FOR PLASTIC K60X20 SW6		2.00
16	45031005000	YDNAC-CLAMP FUEL HOSE (8MM)		1.00
17	58307016001	FUEL HOSE VITON 6X1,5 PER/M		0.00
18	58007117000	YDNAC-CLAMP 10107 10MM		1.00
19	0770110021	O-RING 11X2 VITON	FOR EXC+MXC GAS COCK	1.00
20	0770180020	o-ring 18.00x2.00 NBR70		2.00