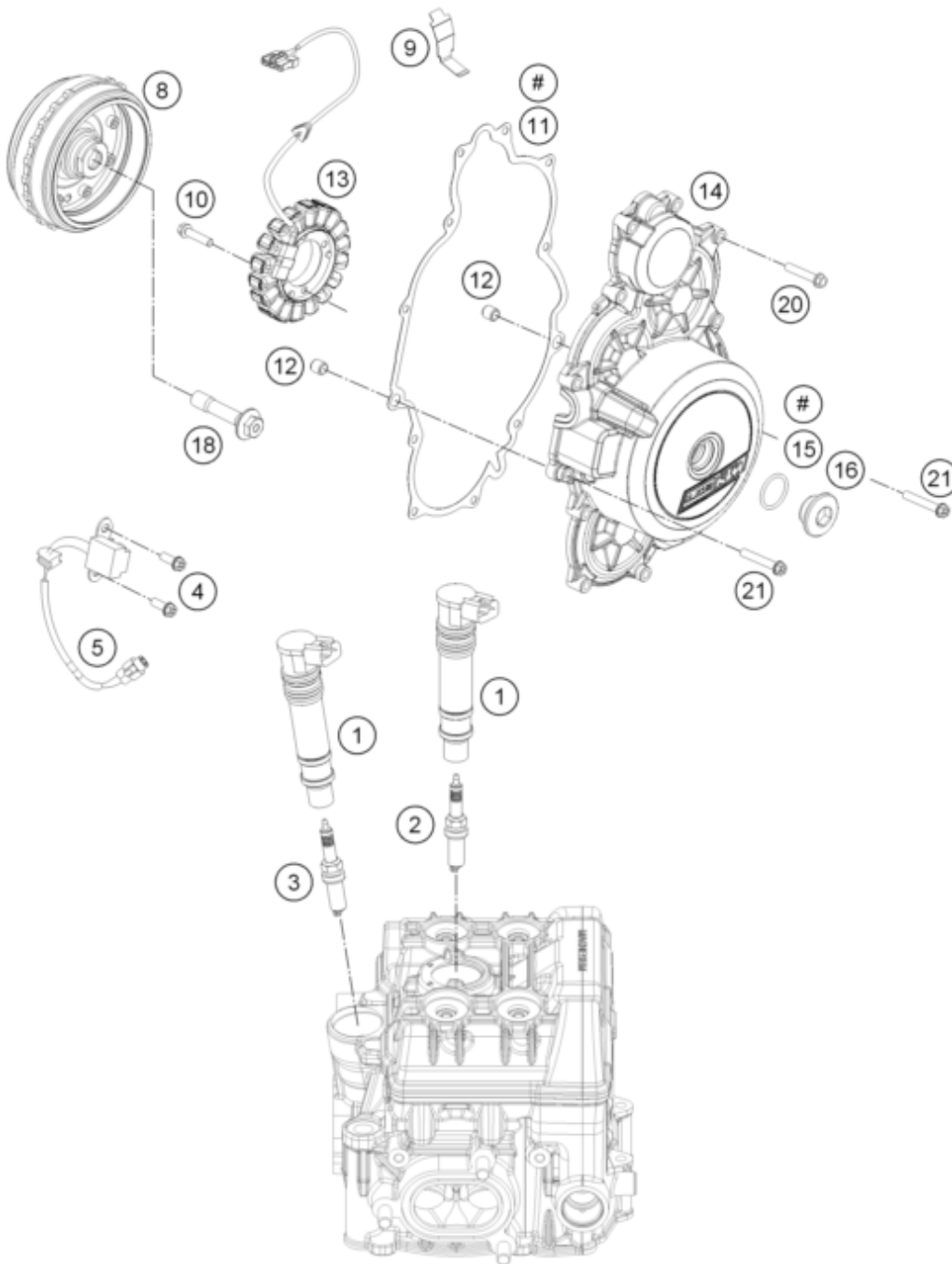


# ENHALTEN IM DICHTSATZ MOTOR KPL.  
INCLUDED IN GASKET-SET ENGINE CPL.



Pos	Part Number	Description	Additional Text	Quantity
1	60039006000	STICK COIL 03		4.00
2	61239093200	SPARK PLUG M12X1,25 08		2.00
3	69139093000	SPARK PLUG NGK "LMAR7A-9"		2.00
4	0025050166	HH collar screw M5x16 TX30		2.00
5	59039034000	pulse generator KOKUSAN 4K3-A/		1.00
8	60239105000	ROTOR		1.00
9	60039040020	generator line bracket		1.00
10	0025060256	HH collar screw M6x25 TX30		3.00
11	61230040000	IGNITION COVER GASKET 08		1.00
12	49030090000	DOWEL 9,8 X 7 X 10	FS-E	2.00

13	60239104000	STATOR		1.00
14	6023010204441	IGNITION COVER WITH BEARING		1.00
15	07700240251	o-ring 24.00x2.50 Viton		1.00
16	6003009400030	threaded plug M24x1.5 PA 6.6		1.00
18	60339003000	special screw M12x1.5 WS15		1.00
20	0025060306	HH collar screw M6x30 TX30		10.00
21	0025060356	HH collar screw M6x35 TX30		2.00