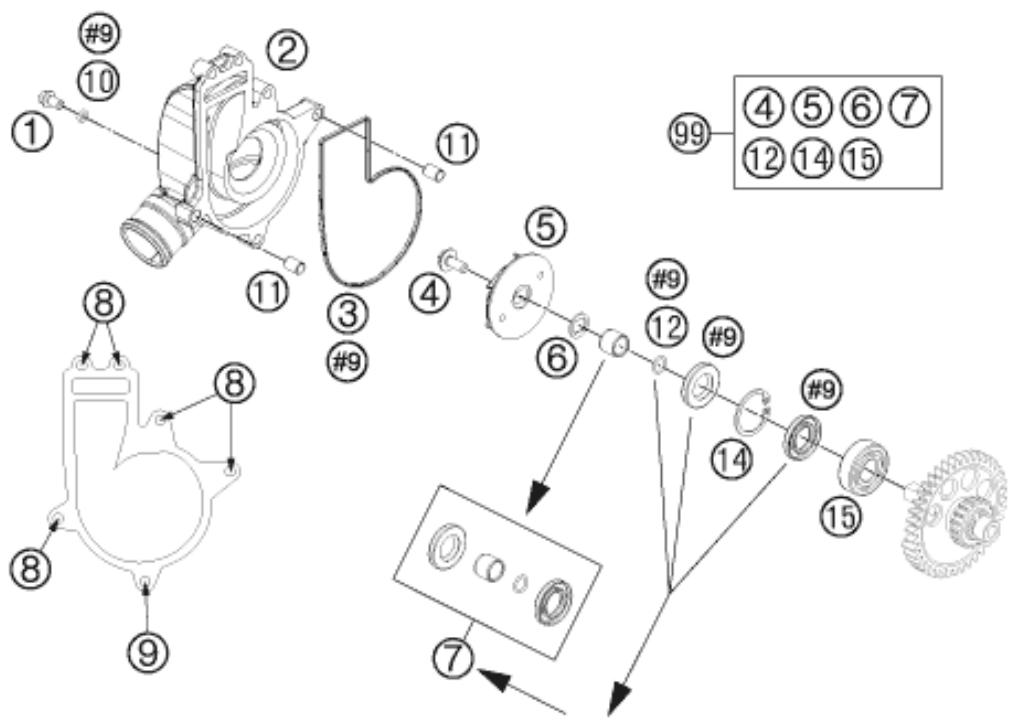


#9 ENTHALTEN IM DICHTSATZ MOTOR KPL.
 INCLUDED IN GASKET-SET ENGINE CPL.



ACHTUNG !!!
 Mit den Wellendichtringen auch
 die Verschleissbuchse + O-Ring
 wechseln.

CAUTION !!!
 With the shaft seal rings also
 change the wear bushing + O-ring.



Pos	Part Number	Description	Additional Text	Quantity
1	0025060106	HH collar screw M6x10 TX30		1.00
2	6923505200041	WATER PUMP COVER		1.00
3	61235061000	MOLDED RING WATER PUMP COV. 08		1.00
4	0024060136	HH collar screw M6x13 TX30		1.00
5	61235055000	WATER PUMP ROTOR 08		1.00
6	60035055150	double-d washer 16x1 SST		1.00
7*	61235065244	WEAR BUSHING WITH SEAL RING		1.00
8	0025060456	HH COLLAR SCREW M6X45 TX30		5.00
9	0025060256	HH collar screw M6x25 TX30		1.00
10	0770050012	O-RING 5,0X1,2 NBR 70		1.00
11	59030023000	dowel sleeve 6x8x11.5		2.00
12	07700900151	O-RING 9x1,5 V80 SH		1.00
14	04720300121	CIRCLIP DIN0472-30X1,2 NIRO		1.00
15	0412153511	CYL.ROLLER BEAR. NJ202 ECP C3		1.00
99	61235055110	WATER PUMP REP. KIT RC8 13-14		0.00

* = New part