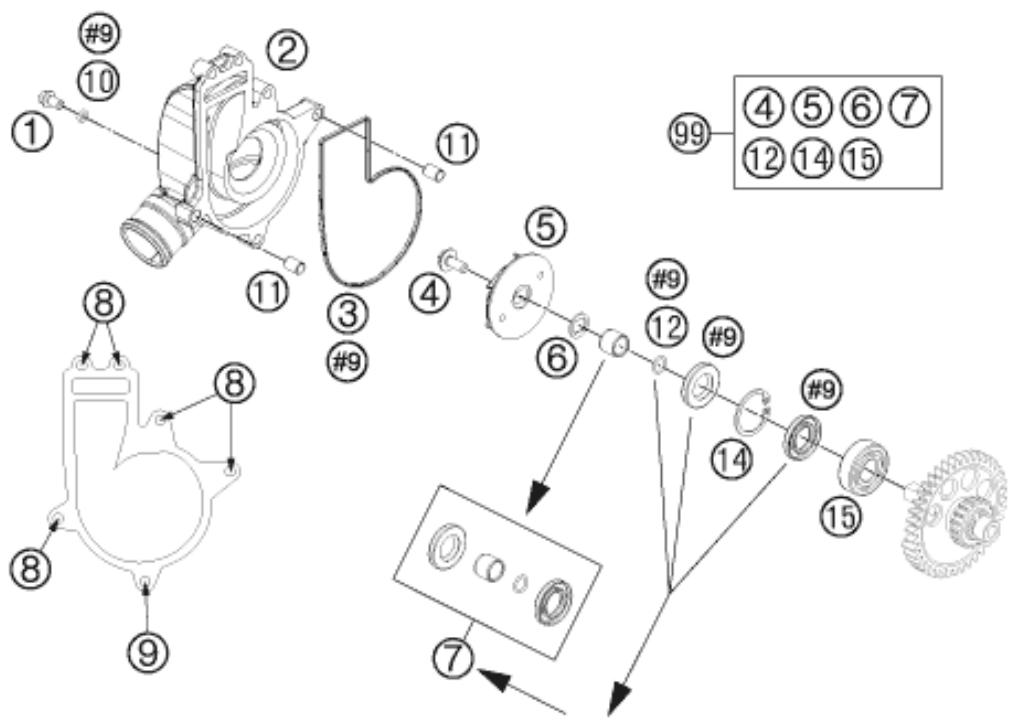


#9 ENTHALTEN IM DICHTSATZ MOTOR KPL.  
 INCLUDED IN GASKET-SET ENGINE CPL.



**ACHTUNG !!!**  
 Mit den Wellendichtringen auch  
 die Verschleissbuchse + O-Ring  
 wechseln.

**CAUTION !!!**  
 With the shaft seal rings also  
 change the wear bushing + O-ring.



| Pos | Part Number   | Description                    | Additional Text | Quantity |
|-----|---------------|--------------------------------|-----------------|----------|
| 1   | 0025060106    | HH collar screw M6x10 TX30     |                 | 1.00     |
| 2   | 6923505200041 | WATER PUMP COVER               |                 | 1.00     |
| 3   | 61235061000   | MOLDED RING WATER PUMP COV. 08 |                 | 1.00     |
| 4   | 0024060136    | HH collar screw M6x13 TX30     |                 | 1.00     |
| 5   | 61235055000   | WATER PUMP ROTOR 08            |                 | 1.00     |
| 6   | 60035055150   | double-d washer 16x1 SST       |                 | 1.00     |
| 7   | 61235065244   | WEAR BUSHING WITH SEAL RING    |                 | 1.00     |
| 8   | 0025060456    | HH COLLAR SCREW M6X45 TX30     |                 | 5.00     |
| 9   | 0025060256    | HH collar screw M6x25 TX30     |                 | 1.00     |
| 10  | 0770050012    | O-RING 5,0X1,2 NBR 70          |                 | 1.00     |
| 11  | 59030023000   | dowel sleeve 6x8x11.5          |                 | 2.00     |
| 12  | 07700900151   | O-RING 9x1,5 V80 SH            |                 | 1.00     |
| 14  | 04720300121   | CIRCLIP DIN0472-30X1,2 NIRO    |                 | 1.00     |
| 15  | 0412153511    | CYL.ROLLER BEAR. NJ202 ECP C3  |                 | 1.00     |
| 99  | 61235055110   | WATER PUMP REP. KIT RC8 13-14  |                 | 0.00     |