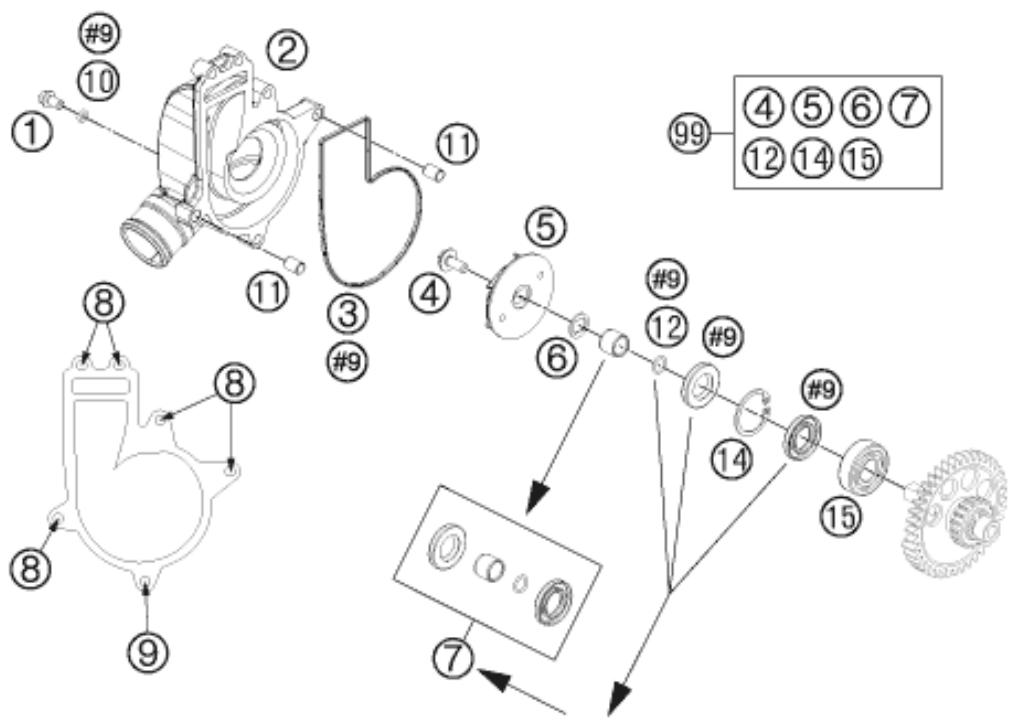


#9 ENTHALTEN IM DICHTSATZ MOTOR KPL.
 INCLUDED IN GASKET-SET ENGINE CPL.



ACHTUNG !!!
 Mit den Wellendichtringen auch
 die Verschleissbuchse + O-Ring
 wechseln.

CAUTION !!!
 With the shaft seal rings also
 change the wear bushing + O-ring.



| Pos | Part Number | Description | Additional Text | Quantity |
|-----|---------------|--------------------------------|-----------------|----------|
| 1 | 0025060106 | HH collar screw M6x10 TX30 | | 1.00 |
| 2 | 6923505200041 | WATER PUMP COVER | | 1.00 |
| 3 | 61235061000 | MOLDED RING WATER PUMP COV. 08 | | 1.00 |
| 4 | 0024060136 | HH collar screw M6x13 TX30 | | 1.00 |
| 5 | 61235055000 | WATER PUMP ROTOR 08 | | 1.00 |
| 6 | 60035055150 | double-d washer 16x1 SST | | 1.00 |
| 7 | 61235065244 | WEAR BUSHING WITH SEAL RING | | 1.00 |
| 8 | 0025060456 | HH COLLAR SCREW M6X45 TX30 | | 5.00 |
| 9 | 0025060256 | HH collar screw M6x25 TX30 | | 1.00 |
| 10 | 0770050012 | O-RING 5,0X1,2 NBR 70 | | 1.00 |
| 11 | 59030023000 | dowel sleeve 6x8x11.5 | | 2.00 |
| 12 | 07700900151 | O-RING 9x1,5 V80 SH | | 1.00 |
| 14 | 04720300121 | CIRCLIP DIN0472-30X1,2 NIRO | | 1.00 |
| 15 | 0412153511 | CYL.ROLLER BEAR. NJ202 ECP C3 | | 1.00 |
| 99 | 61235055110 | WATER PUMP REP. KIT RC8 13-14 | | 0.00 |