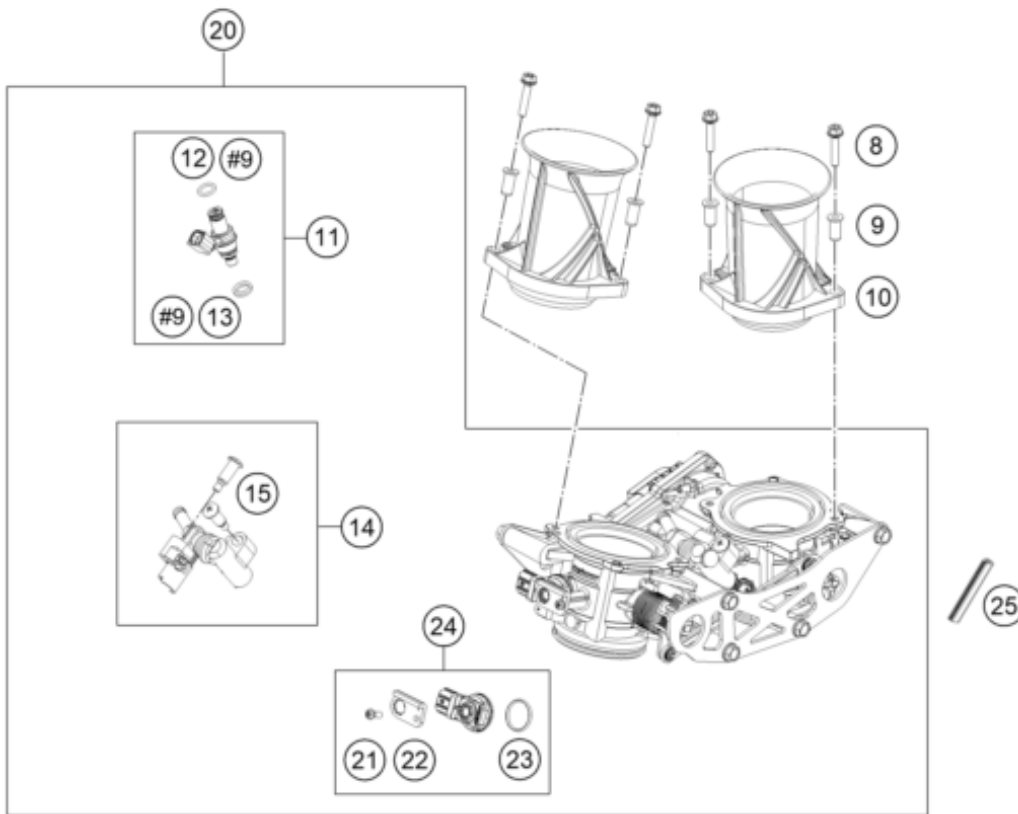
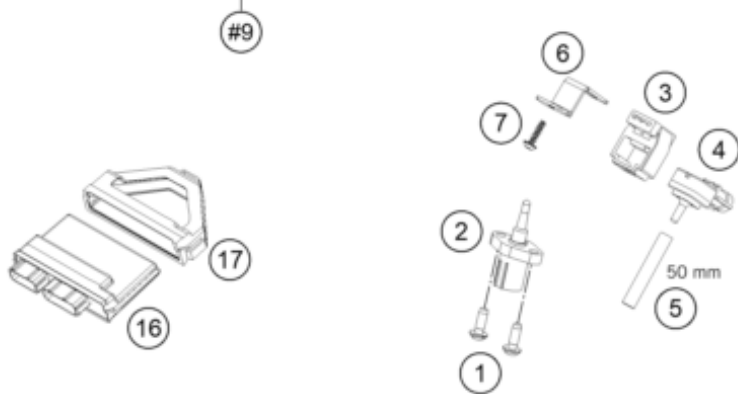


ENTHALTEN IM DICHTSATZ MOTOR KPL.  
 INCLUDED IN GASKET-SET ENGINE CPL.



| Pos | Part Number | Description                    | Additional Text      | Quantity |
|-----|-------------|--------------------------------|----------------------|----------|
| 1   | 0081050161  | EJOT PT SCREW K50X16 1451      |                      | 2.00     |
| 2   | 61041080000 | AMBIENT-AIR TEMPERATURE SENSOR |                      | 1.00     |
| 3   | 61041085150 | RUBBER SUPP. PRESSURE SENS. 06 |                      | 1.00     |
| 4   | 61041085100 | PRESSURE SENSOR 06             |                      | 1.00     |
| 5   | 60031098001 | HOSE 3,2X8,5 PER METER         |                      | 0.00     |
| 6   | 60311040100 | BRACKET PRESSURE SENSOR        |                      | 1.00     |
| 7   | 0081050181  | SCREW FOR PLASTIC K50X18 T20   | 300 TPI Erzbergrodeo | 1.00     |
| 8   | 0025050256S | HH collar screw M5x25 TX30     |                      | 4.00     |
| 9   | 60306042010 | Bushing intake funnel          |                      | 4.00     |
| 10  | 60341040100 | INTAKE TRUMPET LENGTH 100      |                      | 2.00     |
| 11  | 60341023044 | FUEL INJECTOR CPL.             |                      | 2.00     |
| 12  | 60341023020 | O-RING                         |                      | 2.00     |

|    |             |                          |  |      |
|----|-------------|--------------------------|--|------|
| 13 | 75041023010 | SEAL RING                |  | 2.00 |
| 14 | 60341013044 | FUEL PIPE CPL.           |  | 1.00 |
| 15 | 75041013060 | SCREW SHOULDER           |  | 2.00 |
| 16 | 61341031000 | Engine control unit      |  | 1.00 |
| 17 | 60341031050 | ECU RUBBER BRACKET       |  | 1.00 |
| 20 | 60341001000 | THROTTLE BODY            |  | 1.00 |
| 21 | 75041085030 | SCREW WASHER             |  | 2.00 |
| 22 | 75041085020 | PLATE, STAY              |  | 2.00 |
| 23 | 75041085010 | O-RING                   |  | 2.00 |
| 24 | 75041085044 | MAP SENSOR CPL. 07       |  | 2.00 |
| 25 | 61011055045 | EDGE PROTECTOR L=45MM 05 |  | 2.00 |