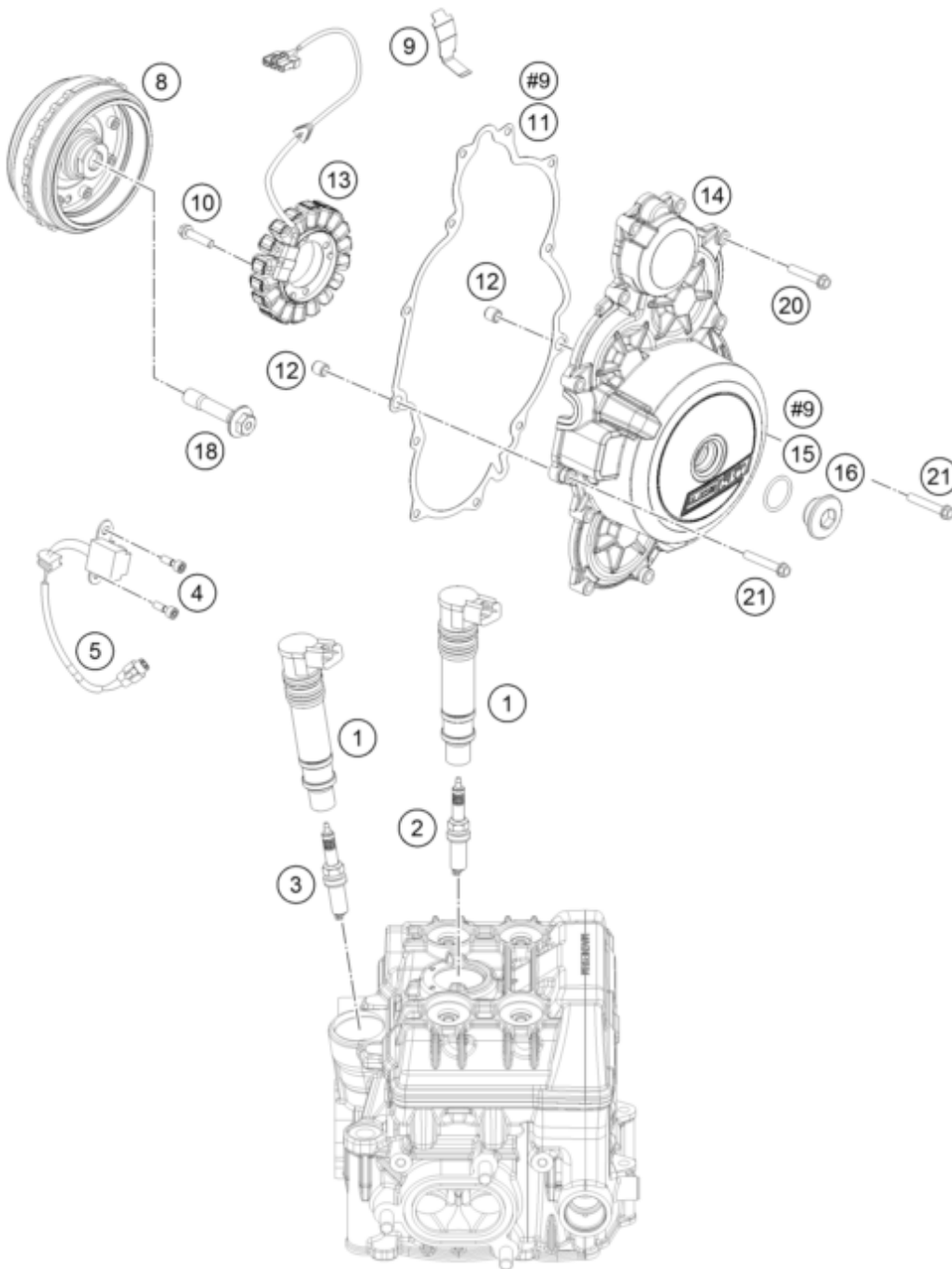


#9 ENHALTEN IM DICHTSATZ MOTOR KPL.
INCLUDED IN GASKET-SET ENGINE CPL.



| Pos | Part Number | Description | Additional Text | Quantity |
|-----|-------------|--------------------------------|-----------------|----------|
| 1 | 60039006000 | STICK COIL 03 | | 4.00 |
| 2 | 61239093200 | SPARK PLUG M12X1,25 08 | | 2.00 |
| 3 | 69139093000 | SPARK PLUG NGK "LMAR7A-9" | | 2.00 |
| 4 | 60339035000 | SPECIAL SCREW M5X16 | | 2.00 |
| 5 | 59039034000 | pulse generator KOKUSAN 4K3-A/ | | 1.00 |
| 8 | 60239105000 | ROTOR | | 1.00 |
| 9 | 60039040020 | generator line bracket | | 1.00 |
| 10 | 0025060256 | HH collar screw M6x25 TX30 | | 3.00 |
| 11 | 61230040000 | IGNITION COVER GASKET 08 | | 1.00 |
| 12 | 49030090000 | DOWEL 9,8 X 7 X 10 | FS-E | 2.00 |

| | | | | |
|----|---------------|------------------------------|--|-------|
| 13 | 60339004000 | STATOR | | 1.00 |
| 14 | 6023010204441 | IGNITION COVER WITH BEARING | | 1.00 |
| 15 | 07700240251 | o-ring 24.00x2.50 Viton | | 1.00 |
| 16 | 6003009400030 | threaded plug M24x1.5 PA 6.6 | | 1.00 |
| 18 | 60339003000 | special screw M12x1.5 WS15 | | 1.00 |
| 20 | 0025060306 | HH collar screw M6x30 TX30 | | 10.00 |
| 21 | 0025060356 | HH collar screw M6x35 TX30 | | 2.00 |