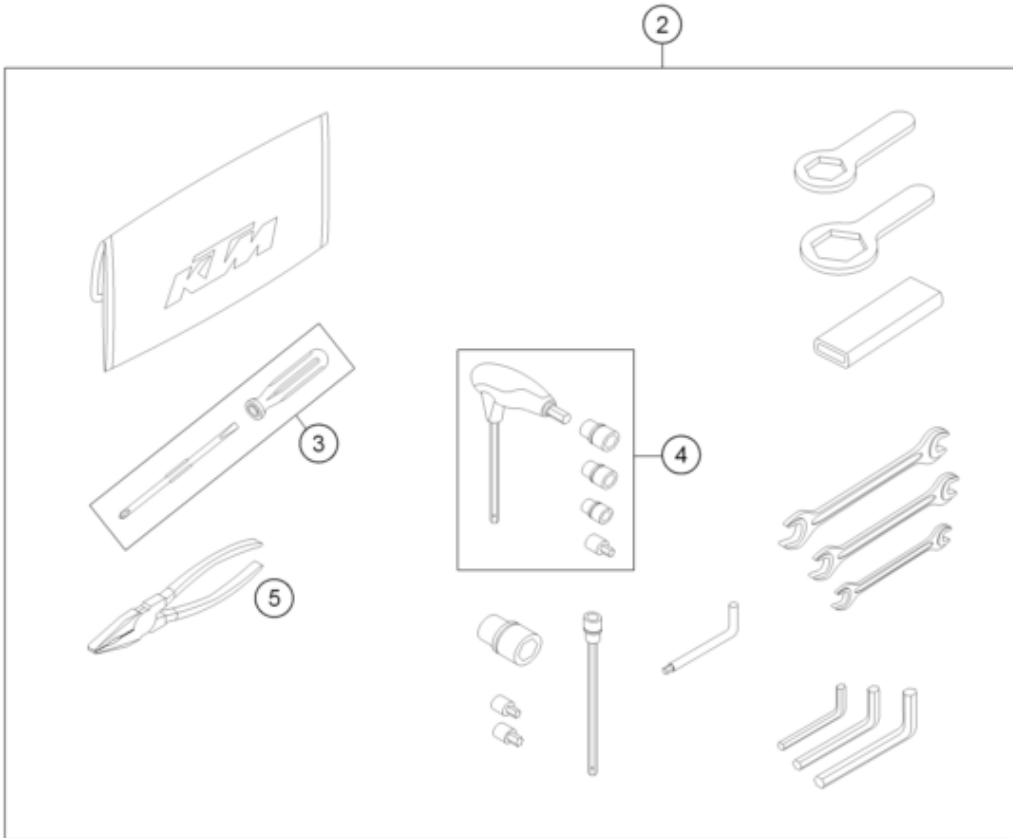


0  
OHNE ABBILDUNG  
WITHOUT ILLUSTRATION

1  
TECHNISCHE DOKUMENTATION  
TECHNICAL DOCUMENTATION  
DOCUMENTACION TECNICA  
DOCUMENTATION TECHNIQUE  
NOTE TECNICHE



Pos	Part Number	Description	Additional Text	Quantity
0	60408008000	WINDSHIELD EU		1.00
0	00063099111	BAG FOR INSTR. MANUAL 245X170		1.00
0	58412080000	REFLECTOR RED	EU+AUS	1.00
0	0024060206	HH collar screw M6x20 TX30		2.00
0	58412080050	BRACKET FOR REFLECTOR		1.00
0	0081045121	SCREW FOR PLASTIC K45X12 T20		4.00
0	40006006000	WASHER 6MM		2.00
0	0081050161	EJOT PT SCREW K50X16 1451		6.00
0	0966050163	OVAL HEAD SCREW DIN0966-M 5X16		2.00
0	0125050003	WASHER DIN0125-A 5,3		2.00
0	0985050003	Self locking nut DIN 985 M5		2.00
0	312305	DOCUMENTS BAG 2006		1.00
0	3210040	CUSTOMER WELCOME LETTER		1.00
0	312313	KTM BALLPOINT PEN ORANGE		1.00
0	00063004202	PRINT LABEL 60X51 MM		1.00
0	60012081200	license plate mouning plate	FOR AUS ONLY	1.00
0	60407020000	TANK MOUNTING RING		2.00
0	0024060156	HH collar screw M6x15 TX30	ONLY USA	4.00
0	0021060003	Washer DIN9021-A 6.4	ONLY USA	4.00

0	0985060003	Self lock. nut DIN985-M6-A2		4.00
0	0125060003	WASHER DIN0125-A 6,4		2.00
0	60708008070	rubber bush windshield fixatio		4.00
0	45239060050	COLLAR BUSHING 6,3X8X13X9,5		2.00
0	60312040000	MIRROR		2.00
0	6030319000030	SKID PLATE ADV		1.00
0	60003096000	VIBRATION DAMPER 03		2.00
0	0025060406	HH collar screw M6x40 TX30		2.00
0	3212552DE/GB	PP STREET FOLDER 2014		1.00
0	3212655GB	POWER WEAR FOLDER 2016		1.00
0	60408008060	WINDSHIELD ADAPTER L/S		1.00
0	60408008061	WINDSHIELD ADAPTER R/S		1.00
0	60412068044KB	CRASH BAR CPL.		1.00
0	50303018000	RUBBER L=145MM		1.00
0	69008021160	special screw M5x12		8.00
0	60408001000	HEADLIGHT MASK		1.00
0	00063002015	FOAM SHEET 1290 ADV.	ONLY EU & FR	2.00
0	00063004012	HEADLIGHT MASK BOX		1.00
0	00063004141	HEADLIGHTMASK & WINDSHIELD BOX		1.00
0	60708008071	Special screw M5x14		4.00
1	3213392EN	OWN. MAN. 1290 SUPER ADV. 16		1.00
2	60329099000	TOOL KIT		1.00
3	53012024100	SCREW DRIVER L=105MM		1.00
4	60029070300	T-WRENCH WS=6/8/10/TX45/SK4X1		1.00
5	53012028200	GRIP ORANGE B&F		1.00