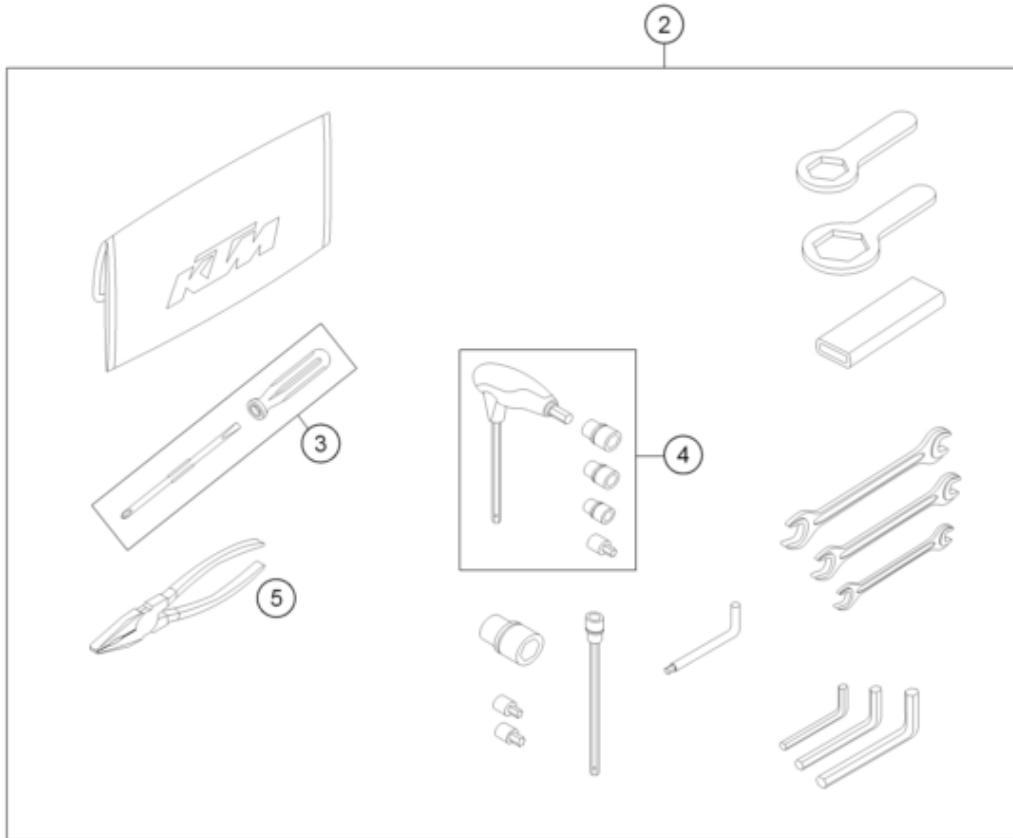


0
OHNE ABBILDUNG
WITHOUT ILLUSTRATION

1
TECHNISCHE DOKUMENTATION
TECHNICAL DOCUMENTATION
DOCUMENTACION TECNICA
DOCUMENTATION TECHNIQUE
NOTE TECNICHE



Pos	Part Number	Description	Additional Text	Quantity
0	60308108000	WIND SHIELD USA		1.00
0	62512081000	BRACKET SIDE REFLECTOR 06	ONLY FOR USA	1.00
0	60708008070	rubber bush windshield fixatio		4.00
0	16512180100	SIDE REFLECTOR RED REAR	ONLY FOR USA	2.00
0	58412080000	REFLECTOR RED	EU+AUS	1.00
0	58412080050	BRACKET FOR REFLECTOR		1.00
0	00063004105	950 ADV. CARTON F WIND PROT.		1.00
0	40006006000	WASHER 6MM		2.00
0	00063004012	HEADLIGHT MASK BOX		1.00
0	0966050163	OVAL HEAD SCREW DIN0966-M 5X16		2.00
0	0125050003	WASHER DIN0125-A 5,3		2.00
0	0985050003	Self locking nut DIN 985 M5		2.00
0	312305	DOCUMENTS BAG 2006		1.00
0	3210040	CUSTOMER WELCOME LETTER		1.00
0	312313	KTM BALLPOINT PEN ORANGE		1.00
0	00063004202	PRINT LABEL 60X51 MM		1.00
0	60012081200	license plate mouning plate	FOR AUS ONLY	1.00
0	51005082100	RUBBER WASHER 5X16X3		2.00
0	0025060306	HH collar screw M6x30 TX30		2.00

0	0021060003	Washer DIN9021-A 6.4	ONLY USA	4.00
0	0985060003	Self lock. nut DIN985-M6-A2		4.00
0	0125060003	WASHER DIN0125-A 6,4		2.00
0	69014017000	SPECIAL SCREW M6X18 ISA30 08		2.00
0	60308006000	COLLAR BUSHING 6,2X9,2X15X12,5		2.00
0	60312040000	MIRROR		2.00
0	6030319000030	SKID PLATE ADV		1.00
0	60003096000	VIBRATION DAMPER 03		2.00
0	0025060406	HH collar screw M6x40 TX30		2.00
0	U6915PPS	PP STREET CATALOG 2015 USA		1.00
0	00063099111	BAG FOR INSTR. MANUAL 245X170		1.00
0	0024060206	HH collar screw M6x20 TX30		4.00
0	60308192000	DECAL SET FRONT FORK WP		1.00
0	60335040000	RADIATOR PROTECTOR	ONLY AUS	1.00
0	6031296824404	CRASH BAR SET CPL. ORANGE		1.00
0	U6915PWC	2015 POWERWEAR CATALOG USA		1.00
0	3213420	MANUAL SETUP REFLECTOR		1.00
0	60708008071	Special screw M5x14		4.00
1	3213390EN	OWN. MAN. 1190 ADVENT. R US 16		1.00
2	60329099000	TOOL KIT		1.00
3	53012024100	SCREW DRIVER L=105MM		1.00
4	60029070300	T-WRENCH WS=6/8/10/TX45/SK4X1		1.00
5	53012028200	GRIP ORANGE B&F		1.00