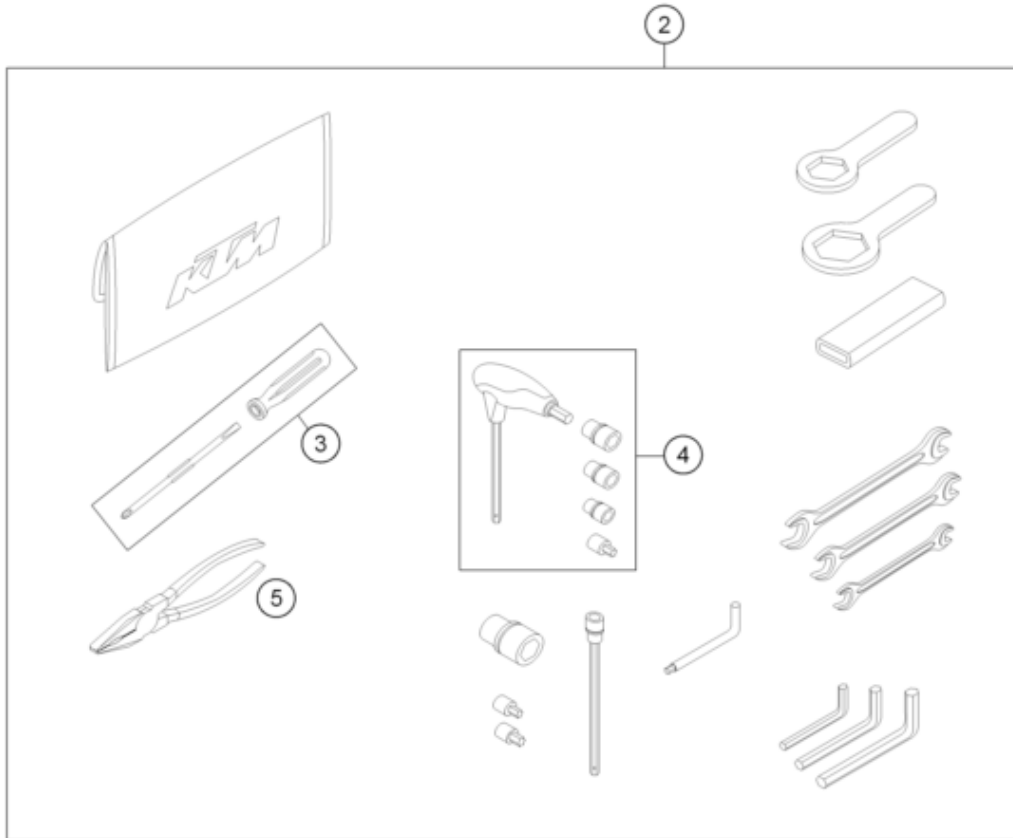


0  
OHNE ABBILDUNG  
WITHOUT ILLUSTRATION

1  
TECHNISCHE DOKUMENTATION  
TECHNICAL DOCUMENTATION  
DOCUMENTACION TECNICA  
DOCUMENTATION TECHNIQUE  
NOTE TECNICHE



Pos	Part Number	Description	Additional Text	Quantity
0	50303018000	RUBBER L=145MM		1.00
0	60308008100	WINDSCREEN EU		1.00
0	00063099111	BAG FOR INSTR. MANUAL 245X170		1.00
0	60708008070	rubber bush windshield fixatio		4.00
0	58412080000	REFLECTOR RED	EU+AUS	1.00
0	58412080050	BRACKET FOR REFLECTOR		1.00
0	00063004105	950 ADV. CARTON F WIND PROT.		1.00
0	40006006000	WASHER 6MM		2.00
0	00063004012	HEADLIGHT MASK BOX		1.00
0	0966050163	OVAL HEAD SCREW DIN0966-M 5X16		2.00
0	0125050003	WASHER DIN0125-A 5,3		2.00
0	0985050003	Self locking nut DIN 985 M5		2.00
0	312305	DOCUMENTS BAG 2006		1.00
0	3210040	CUSTOMER WELCOME LETTER		1.00
0	312313	KTM BALLPOINT PEN ORANGE		1.00
0	00063004202	PRINT LABEL 60X51 MM		1.00
0	60012081200	license plate mouning plate	FOR AUS ONLY	1.00
0	0024060156	HH collar screw M6x15 TX30	ONLY USA	4.00
0	0021060003	Washer DIN9021-A 6.4	ONLY USA	4.00

0	0985060003	Self lock. nut DIN985-M6-A2	4.00
0	0125060003	WASHER DIN0125-A 6,4	2.00
0	69014017000	SPECIAL SCREW M6X18 ISA30 08	2.00
0	45239060050	COLLAR BUSHING 6,3X8X13X9,5	2.00
0	60312040000	MIRROR	2.00
0	6030319000030	SKID PLATE ADV	1.00
0	60003096000	VIBRATION DAMPER 03	2.00
0	0025060406	HH collar screw M6x40 TX30	2.00
0	3212601GB	POWER WEAR FOLDER 2015	1.00
0	3212633DE/GB	PP ADVENTURE CHAPTER FOLDER 15	1.00
0	3PW137150	KEYHOLDER ADVENTURE	1.00
0	60308192000	DECAL SET FRONT FORK WP	1.00
0	6031296824404	CRASH BAR SET CPL. ORANGE	1.00
0	60708008071	Special screw M5x14	4.00
1	3213387EN	OWN. MANUAL 1190 ADVENTURE 16	1.00
2	60329099000	TOOL KIT	1.00
3	53012024100	SCREW DRIVER L=105MM	1.00
4	60029070300	T-WRENCH WS=6/8/10/TX45/SK4X1	1.00
5	53012028200	GRIP ORANGE B&F	1.00