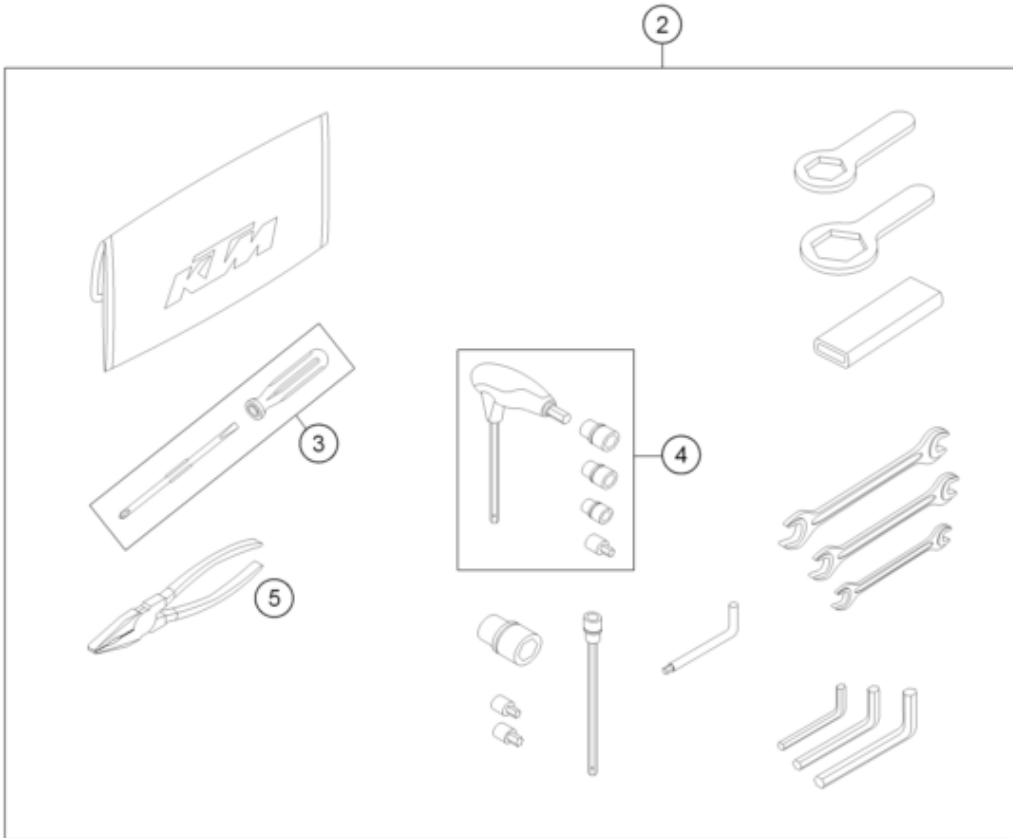


0  
OHNE ABBILDUNG  
WITHOUT ILLUSTRATION

1  
TECHNISCHE DOKUMENTATION  
TECHNICAL DOCUMENTATION  
DOCUMENTACION TECNICA  
DOCUMENTATION TECHNIQUE  
NOTE TECNICHE



| Pos | Part Number | Description                    | Additional Text | Quantity |
|-----|-------------|--------------------------------|-----------------|----------|
| 0   | 60308108500 | WIND SHIELD SHORT USA          |                 | 1.00     |
| 0   | 60708008070 | rubber bush windshield fixatio |                 | 4.00     |
| 0   | 58412080000 | REFLECTOR RED                  | EU+AUS          | 1.00     |
| 0   | 58412080050 | BRACKET FOR REFLECTOR          |                 | 1.00     |
| 0   | 40006006000 | WASHER 6MM                     |                 | 2.00     |
| 0   | 0966050163  | OVAL HEAD SCREW DIN0966-M 5X16 |                 | 2.00     |
| 0   | 0125050003  | WASHER DIN0125-A 5,3           |                 | 2.00     |
| 0   | 0985050003  | Self locking nut DIN 985 M5    |                 | 2.00     |
| 0   | 312305      | DOCUMENTS BAG 2006             |                 | 1.00     |
| 0   | 3210040     | CUSTOMER WELCOME LETTER        |                 | 1.00     |
| 0   | 312313      | KTM BALLPOINT PEN ORANGE       |                 | 1.00     |
| 0   | 00063004202 | PRINT LABEL 60X51 MM           |                 | 1.00     |
| 0   | 60012081200 | license plate mouning plate    | FOR AUS ONLY    | 1.00     |
| 0   | 0024060156  | HH collar screw M6x15 TX30     | ONLY USA        | 4.00     |
| 0   | 0021060003  | Washer DIN9021-A 6.4           | ONLY USA        | 4.00     |
| 0   | 0985060003  | Self lock. nut DIN985-M6-A2    |                 | 4.00     |
| 0   | 0125060003  | WASHER DIN0125-A 6,4           |                 | 2.00     |
| 0   | 69014017000 | SPECIAL SCREW M6X18 ISA30 08   |                 | 2.00     |
| 0   | 58314060050 | spacer bushing for speedometer |                 | 2.00     |

|   |               |                               |              |      |
|---|---------------|-------------------------------|--------------|------|
| 0 | 60312040000   | MIRROR                        |              | 2.00 |
| 0 | 6030319000030 | SKID PLATE ADV                |              | 1.00 |
| 0 | 60003096000   | VIBRATION DAMPER 03           |              | 2.00 |
| 0 | 0025060406    | HH collar screw M6x40 TX30    |              | 2.00 |
| 0 | U6914PWC      | 2014 POWERWEAR CATALOG USA    |              | 1.00 |
| 0 | 3212475DE/GB  | PP 1190 ADVENTURE FOLDER 2013 |              | 1.00 |
| 0 | 3PW137150     | KEYHOLDER ADVENTURE           |              | 1.00 |
| 0 | 60308192000   | DECAL SET FRONT FORK WP       |              | 1.00 |
| 0 | 6031296824404 | CRASH BAR SET CPL. ORANGE     |              | 1.00 |
| 0 | 16512180100   | SIDE REFLECTOR RED REAR       | ONLY FOR USA | 2.00 |
| 0 | 00063004105   | 950 ADV. CARTON F WIND PROT.  |              | 1.00 |
| 0 | 60708008071   | Special screw M5x14           |              | 4.00 |
| 1 | 3213108EN     | OWN.MAN. 1190 ADV. R USA 14   |              | 1.00 |
| 2 | 60329099000   | TOOL KIT                      |              | 1.00 |
| 3 | 53012024100   | SCREW DRIVER L=105MM          |              | 1.00 |
| 4 | 60029070300   | T-WRENCH WS=6/8/10/TX45/SK4X1 |              | 1.00 |
| 5 | 53012028200   | GRIP ORANGE B&F               |              | 1.00 |