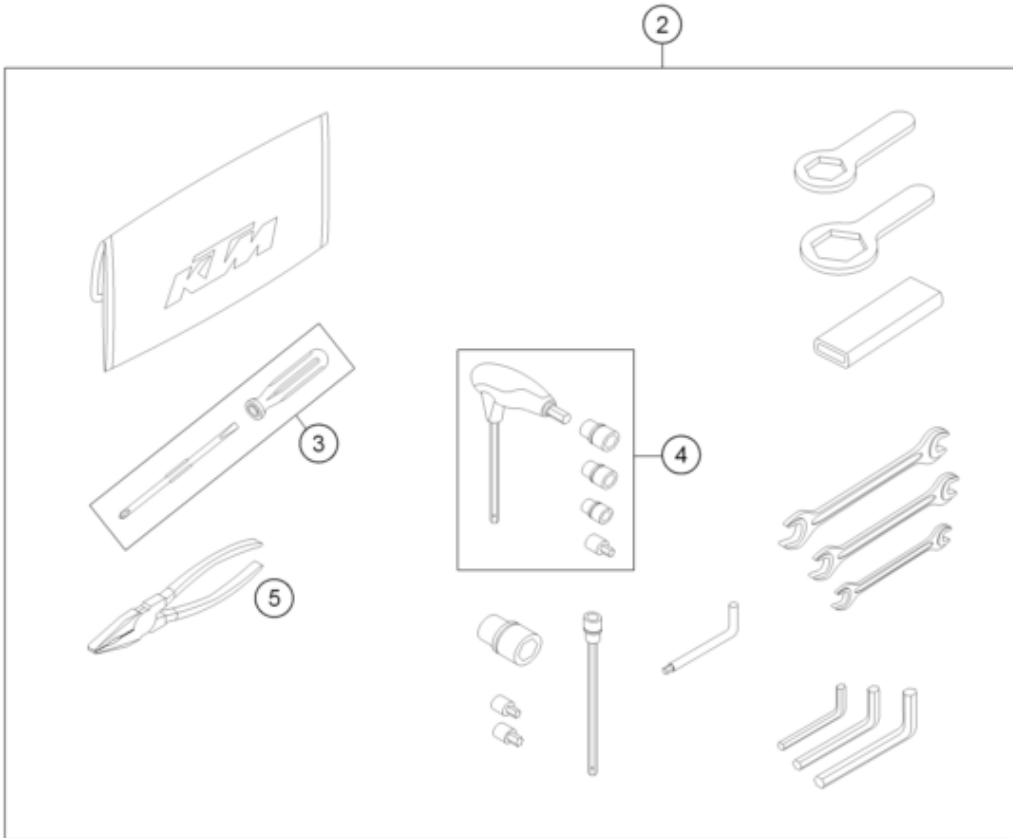


0  
OHNE ABBILDUNG  
WITHOUT ILLUSTRATION

1  
TECHNISCHE DOKUMENTATION  
TECHNICAL DOCUMENTATION  
DOCUMENTACION TECNICA  
DOCUMENTATION TECHNIQUE  
NOTE TECNICHE



| Pos | Part Number  | Description                    | Additional Text | Quantity |
|-----|--------------|--------------------------------|-----------------|----------|
| 0   | 50303018000  | RUBBER L=145MM                 |                 | 1.00     |
| 0   | 3212475DE/GB | PP 1190 ADVENTURE FOLDER 2013  |                 | 1.00     |
| 0   | 00063004105  | 950 ADV. CARTON F WIND PROT.   |                 | 1.00     |
| 0   | 0024060156   | HH collar screw M6x15 TX30     | ONLY USA        | 4.00     |
| 0   | 0021060003   | Washer DIN9021-A 6.4           | ONLY USA        | 4.00     |
| 0   | 60308008000  | WIND SHIELD                    |                 | 1.00     |
| 0   | 69008021160  | special screw M5x12            |                 | 4.00     |
| 0   | 58412080000  | REFLECTOR RED                  | EU+AUS          | 1.00     |
| 0   | 58412080050  | BRACKET FOR REFLECTOR          |                 | 1.00     |
| 0   | 40006006000  | WASHER 6MM                     |                 | 2.00     |
| 0   | 0966050163   | OVAL HEAD SCREW DIN0966-M 5X16 |                 | 2.00     |
| 0   | 0125050003   | WASHER DIN0125-A 5,3           |                 | 2.00     |
| 0   | 0985050003   | Self locking nut DIN 985 M5    |                 | 2.00     |
| 0   | 312305       | DOCUMENTS BAG 2006             |                 | 1.00     |
| 0   | 3210040      | CUSTOMER WELCOME LETTER        |                 | 1.00     |
| 0   | 312313       | KTM BALLPOINT PEN ORANGE       |                 | 1.00     |
| 0   | 00063004202  | PRINT LABEL 60X51 MM           |                 | 1.00     |
| 0   | 60012081200  | license plate mouning plate    | FOR AUS ONLY    | 1.00     |
| 0   | 0985060003   | Self lock. nut DIN985-M6-A2    |                 | 4.00     |

|   |               |                                |  |      |
|---|---------------|--------------------------------|--|------|
| 0 | 0125060003    | WASHER DIN0125-A 6,4           |  | 2.00 |
| 0 | 69014017000   | SPECIAL SCREW M6X18 ISA30 08   |  | 2.00 |
| 0 | 58314060050   | spacer bushing for speedometer |  | 2.00 |
| 0 | 60312040000   | MIRROR                         |  | 2.00 |
| 0 | 6030319000030 | SKID PLATE ADV                 |  | 1.00 |
| 0 | 60003096000   | VIBRATION DAMPER 03            |  | 2.00 |
| 0 | 0025060406    | HH collar screw M6x40 TX30     |  | 2.00 |
| 0 | 3212455GB     | POWER WEAR FOLDER 2013         |  | 1.00 |
| 0 | 3PW137150     | KEYHOLDER ADVENTURE            |  | 1.00 |
| 0 | 60308192000   | DECAL SET FRONT FORK WP        |  | 1.00 |
| 1 | 3211955EN     | OWN. MANUAL 1190 ADVENTURE 13  |  | 1.00 |
| 2 | 60329099000   | TOOL KIT                       |  | 1.00 |
| 3 | 53012024100   | SCREW DRIVER L=105MM           |  | 1.00 |
| 4 | 60029070300   | T-WRENCH WS=6/8/10/TX45/SK4X1  |  | 1.00 |
| 5 | 53012028200   | GRIP ORANGE B&F                |  | 1.00 |