

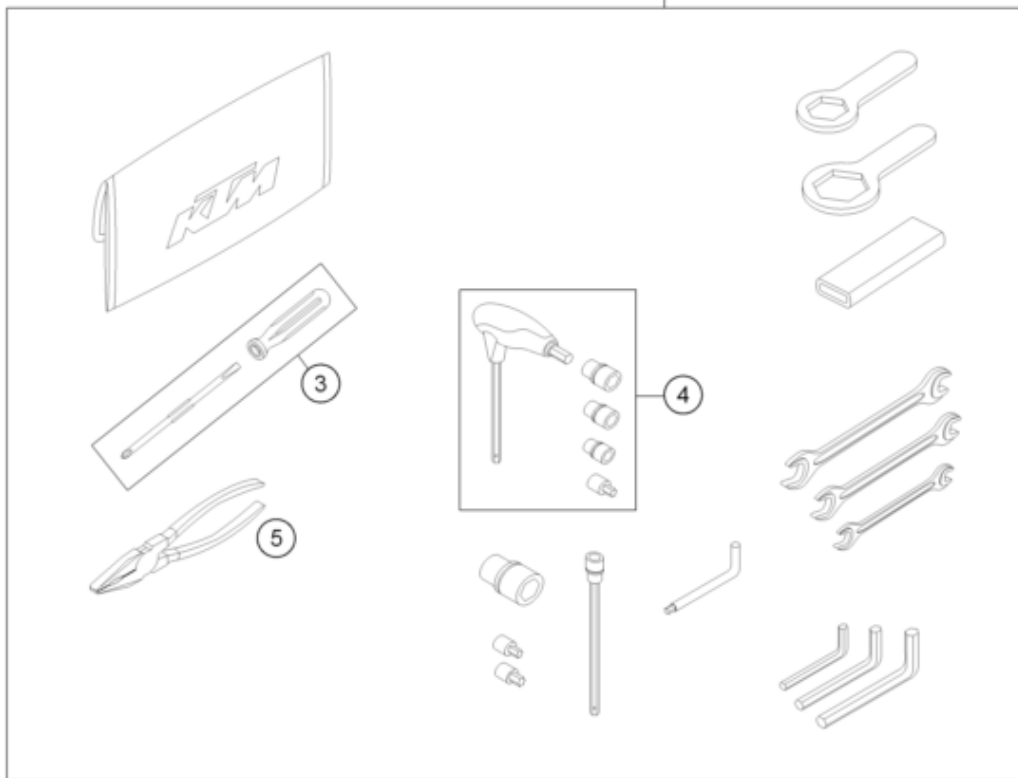
0

OHNE ABBILDUNG
WITHOUT ILLUSTRATION

1

TECHNISCHE DOKUMENTATION
TECHNICAL DOCUMENTATION
DOCUMENTACION TECNICA
DOCUMENTATION TECHNIQUE
NOTE TECNICHE

2



| Pos | Part Number | Description | Additional Text | Quantity |
|-----|-------------|--------------------------------|-----------------|----------|
| 0 | 0021060003 | Washer DIN9021-A 6.4 | ONLY USA | 4.00 |
| 0 | 0985060003 | Self lock. nut DIN985-M6-A2 | | 4.00 |
| 0 | 0125060003 | WASHER DIN0125-A 6,4 | | 2.00 |
| 0 | 60308008500 | WIND SHIELD SHORT | | 1.00 |
| 0 | 69008021160 | special screw M5x12 | | 4.00 |
| 0 | 58412080000 | REFLECTOR RED | EU+AUS | 1.00 |
| 0 | 58412080050 | BRACKET FOR REFLECTOR | | 1.00 |
| 0 | 40006006000 | WASHER 6MM | | 2.00 |
| 0 | 0966050163 | OVAL HEAD SCREW DIN0966-M 5X16 | | 2.00 |
| 0 | 0125050003 | WASHER DIN0125-A 5,3 | | 2.00 |
| 0 | 0985050003 | Self locking nut DIN 985 M5 | | 2.00 |
| 0 | 312305 | DOCUMENTS BAG 2006 | | 1.00 |
| 0 | 3210040 | CUSTOMER WELCOME LETTER | | 1.00 |
| 0 | 312313 | KTM BALLPOINT PEN ORANGE | | 1.00 |
| 0 | 00063004202 | PRINT LABEL 60X51 MM | | 1.00 |
| 0 | 60012081200 | license plate mouning plate | FOR AUS ONLY | 1.00 |
| 0 | 0024060156 | HH collar screw M6x15 TX30 | ONLY USA | 4.00 |
| 0 | 69014017000 | SPECIAL SCREW M6X18 ISA30 08 | | 2.00 |
| 0 | 60312040000 | MIRROR | | 2.00 |

| | | | | |
|---|---------------|--------------------------------|--|------|
| 0 | 6031296814404 | CRASH BAR SET ORANGE | | 1.00 |
| 0 | 60003096000 | VIBRATION DAMPER 03 | | 2.00 |
| 0 | 0025060406 | HH collar screw M6x40 TX30 | | 2.00 |
| 0 | 3212455GB | POWER WEAR FOLDER 2013 | | 1.00 |
| 0 | 3PW137150 | KEYHOLDER ADVENTURE | | 1.00 |
| 0 | 3212475DE/GB | PP 1190 ADVENTURE FOLDER 2013 | | 1.00 |
| 0 | 60308192000 | DECAL SET FRONT FORK WP | | 1.00 |
| 0 | 58314060050 | spacer bushing for speedometer | | 2.00 |
| 0 | 6030319000030 | SKID PLATE ADV | | 1.00 |
| 0 | 50303018000 | RUBBER L=145MM | | 1.00 |
| 0 | 00063004105 | 950 ADV. CARTON F WIND PROT. | | 1.00 |
| 1 | 3211956EN | OWN. MANUAL 1190 ADV.-R 2013 | | 1.00 |
| 2 | 60329099000 | TOOL KIT | | 1.00 |
| 3 | 53012024100 | SCREW DRIVER L=105MM | | 1.00 |
| 4 | 60029070300 | T-WRENCH WS=6/8/10/TX45/SK4X1 | | 1.00 |
| 5 | 53012028200 | GRIP ORANGE B&F | | 1.00 |