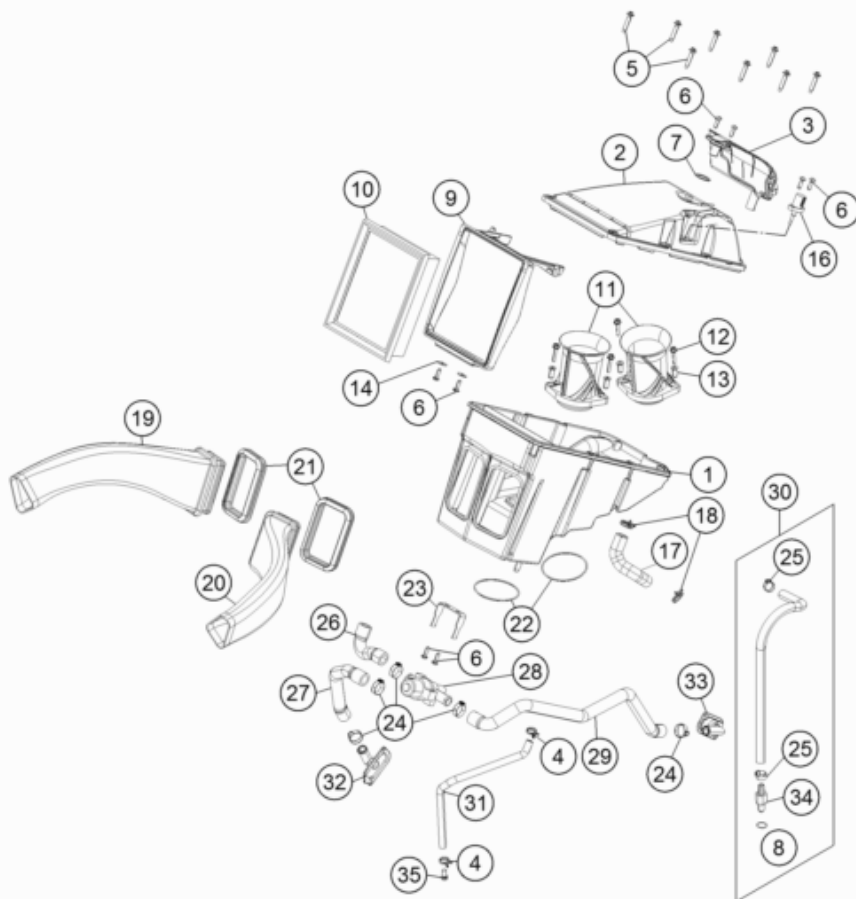


Empfehlung: neuer SPANNRAHMEN / -KEIL Pos. # 9 verfügbar, siehe RA.
 Recommendation: new FILTERCLAMPING FRAME / LINER Pos. # 9 available, see RM.
 60406016000 + 60406017000



Pos	Part Number	Description	Additional Text	Quantity
1*	60306001100	AIR FILTER HOUSING LOWER PART		1.00
2	60306002000	AIR FILTER BOX COVER		1.00
3	60330088000	OIL SEPARATOR		1.00
4	58031005000	CLAMP YDNAC 10128 12MM	FOR 12 LITER TANK	2.00
5*	0017060305	Special screw K60X30 WS=6		8.00
6	0081050161	EJOT PT SCREW K50X16 1451		8.00
7	0770021020	O-RING 21,00X2,00 NBR70		1.00
8	58507012000	O-ring VITON f. plug CPC 0		1.00
9*	60306016100	FILTER FRAME MESH		1.00
10	60306015000	AIR FILTER		1.00
11	60341040100	INTAKE TRUMPET LENGTH 100		2.00
12	0025050256	HH COLLAR SCREW M5X25 ISA30		2.00
13	60306042010	Bushing intake funnel		4.00
14	0021050003	washer DIN 9021 A - 5.3		2.00
16	61041080000	AMBIENT-AIR TEMPERATURE SENSOR		1.00
17	60330088030	OIL SEPARATOR FOAM HOSE		1.00
18	60306082000	CLAMP YDNAC 10173 (19MM)		2.00
19	60306040000	INTAKE DUCT RS		1.00
20	60306041000	INTAKE DUCT LS		1.00

21	60306040050	GASKET INTAKE DUCT		2.00
22*	0770066025	O-RING 66X2,5 FKM		2.00
23	61305031000	RETAINING BRACKET SLS		1.00
24	00050226706	VARIABLE ONE-EAR CLAMP 22,6MM		5.00
25	00050157706	Variable one-ear clamp 15.7mm		2.00
26	61305035023	SAS HOSE - AIRBOX		1.00
27	61305035021	SAS HOSE CYLINDER FRONT		1.00
28	61005026000	CONTROL VALVE SAS 05		1.00
29	61305035022	SAS HOSE CYLINDER REAR		1.00
30	60307016000	FUEL HOSE 1 CPL.		1.00
31	60015019001	HOSE NBR 7X11 PER METER		1.00
32	61205122000	SAS flange		1.00
33	61205032000	SAS-FLANGE		1.00
34	5850701030030	Plug CPC black 05		1.00
35	0025080126	HH collar screw M8x12 TX40		1.00

* = New part