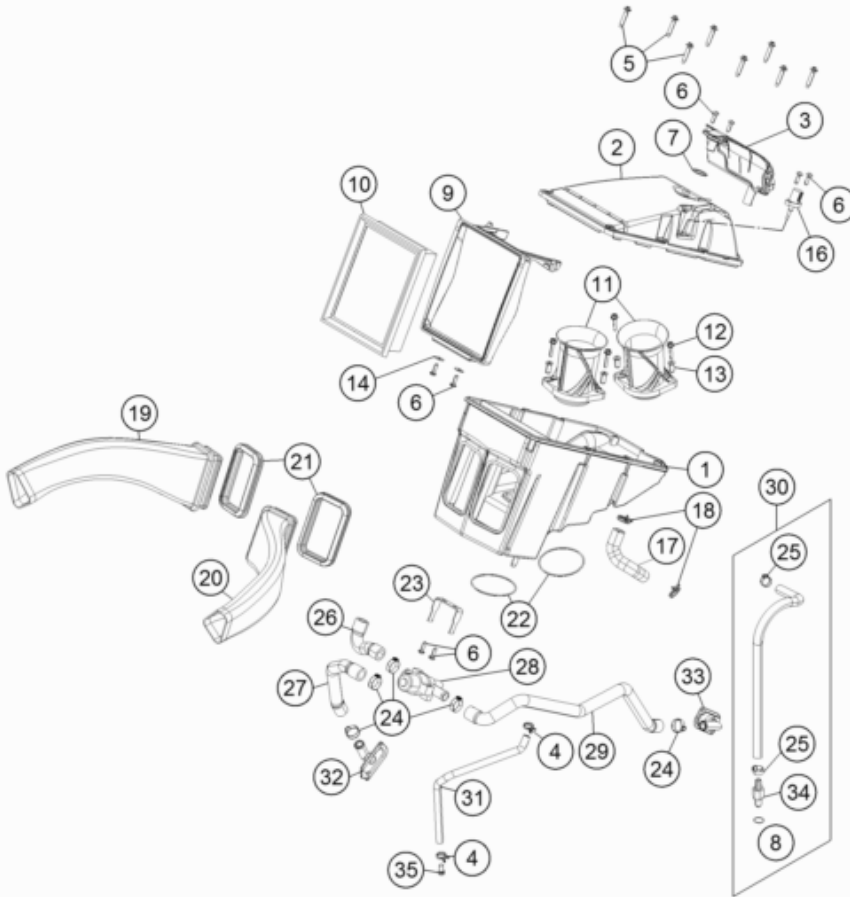


Empfehlung: neuer SPANNRAHMEN / -KEIL Pos. # 9 verfügbar, siehe RA.  
Recommendation: new FILTERCLAMPING FRAME / LINER Pos. # 9 available, see RM.  
60406016000 + 60406017000



| Pos | Part Number | Description                    | Additional Text   | Quantity |
|-----|-------------|--------------------------------|-------------------|----------|
| 1*  | 60306001100 | AIR FILTER HOUSING LOWER PART  |                   | 1.00     |
| 2   | 60306002000 | AIR FILTER BOX COVER           |                   | 1.00     |
| 3   | 60330088000 | OIL SEPARATOR                  |                   | 1.00     |
| 4   | 58031005000 | CLAMP YDNAC 10128 12MM         | FOR 12 LITER TANK | 2.00     |
| 5*  | 0017060305  | Special screw K60X30 WS=6      |                   | 8.00     |
| 6   | 0081050161  | EJOT PT SCREW K50X16 1451      |                   | 8.00     |
| 7   | 0770021020  | O-RING 21,00X2,00 NBR70        |                   | 1.00     |
| 8   | 58507012000 | O-ring VITON f. plug CPC 0     |                   | 1.00     |
| 9*  | 60306016100 | FILTER FRAME MESH              |                   | 1.00     |
| 10  | 60306015000 | AIR FILTER                     |                   | 1.00     |
| 11  | 60341040100 | INTAKE TRUMPET LENGTH 100      |                   | 2.00     |
| 12  | 0025050256  | HH COLLAR SCREW M5X25 ISA30    |                   | 2.00     |
| 13  | 60306042010 | Bushing intake funnel          |                   | 4.00     |
| 14  | 0021050003  | washer DIN 9021 A - 5.3        |                   | 2.00     |
| 16  | 61041080000 | AMBIENT-AIR TEMPERATURE SENSOR |                   | 1.00     |
| 17  | 60330088030 | OIL SEPARATOR FOAM HOSE        |                   | 1.00     |
| 18  | 60306082000 | CLAMP YDNAC 10173 (19MM)       |                   | 2.00     |
| 19  | 60306040000 | INTAKE DUCT RS                 |                   | 1.00     |
| 20  | 60306041000 | INTAKE DUCT LS                 |                   | 1.00     |

|     |               |                               |  |      |
|-----|---------------|-------------------------------|--|------|
| 21  | 60306040050   | GASKET INTAKE DUCT            |  | 2.00 |
| 22* | 0770066025    | O-RING 66X2,5 FKM             |  | 2.00 |
| 23  | 61305031000   | RETAINING BRACKET SLS         |  | 1.00 |
| 24  | 00050226706   | VARIABLE ONE-EAR CLAMP 22,6MM |  | 5.00 |
| 25  | 00050157706   | Variable one-ear clamp 15.7mm |  | 2.00 |
| 26  | 61305035023   | SAS HOSE - AIRBOX             |  | 1.00 |
| 27  | 61305035021   | SAS HOSE CYLINDER FRONT       |  | 1.00 |
| 28  | 61005026000   | CONTROL VALVE SAS 05          |  | 1.00 |
| 29  | 61305035022   | SAS HOSE CYLINDER REAR        |  | 1.00 |
| 30  | 60307016000   | FUEL HOSE 1 CPL.              |  | 1.00 |
| 31  | 60015019001   | HOSE NBR 7X11 PER METER       |  | 1.00 |
| 32  | 61205122000   | SAS flange                    |  | 1.00 |
| 33  | 61205032000   | SAS-FLANGE                    |  | 1.00 |
| 34  | 5850701030030 | Plug CPC black 05             |  | 1.00 |
| 35  | 0025080126    | HH collar screw M8x12 TX40    |  | 1.00 |

\* = New part