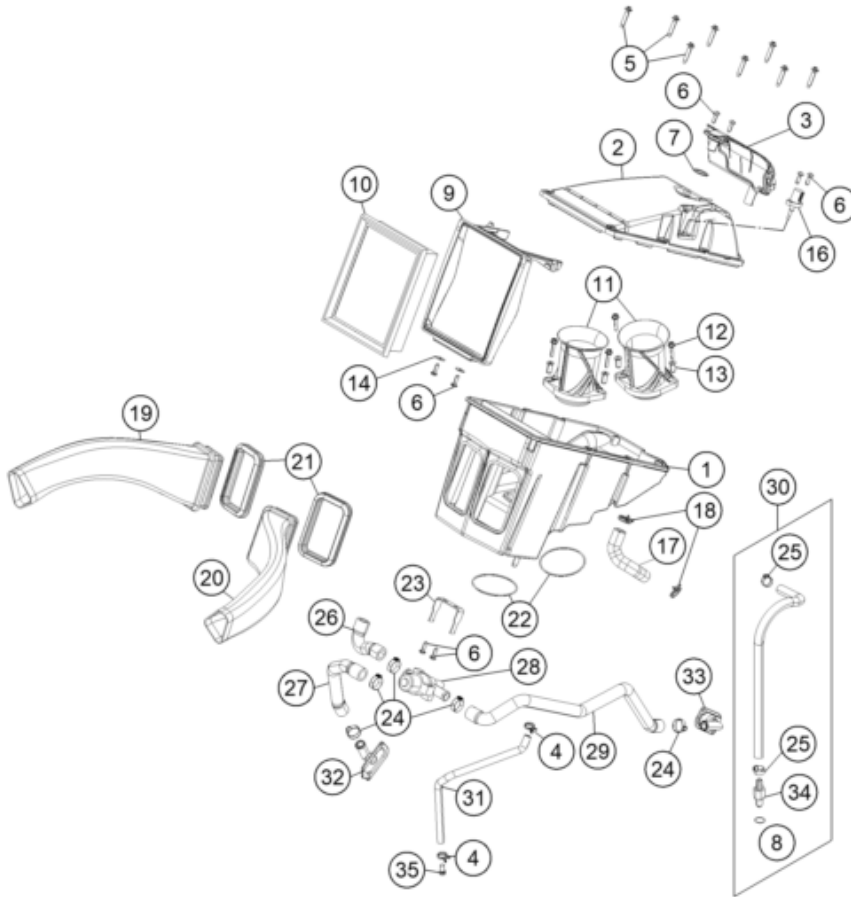


Empfehlung: neuer SPANNRAHMEN / -KEIL Pos. # 9 verfügbar, siehe RA.
Recommendation: new FILTERCLAMPING FRAME / LINER Pos. # 9 available, see RM.
60406016000 + 60406017000



| Pos | Part Number | Description | Additional Text | Quantity |
|-----|-------------|--------------------------------|-------------------|----------|
| 1 | 60306001000 | AIR FILTER HOUSING LOWER PART | | 1.00 |
| 2 | 60306002000 | AIR FILTER BOX COVER | | 1.00 |
| 3 | 60330088000 | OIL SEPARATOR | | 1.00 |
| 4 | 58031005000 | CLAMP YDNAC 10128 12MM | FOR 12 LITER TANK | 2.00 |
| 5 | 0017060303 | SPECIAL SCREW T60 6X30 WS=6 | | 8.00 |
| 6 | 0081050161 | EJOT PT SCREW K50X16 1451 | | 8.00 |
| 7 | 0770210020 | O-RING 21X2 | | 1.00 |
| 8 | 58507012000 | O-ring VITON f. plug CPC 0 | | 1.00 |
| 9 | 60306016000 | FILTER FRAME MESH | | 1.00 |
| 10 | 60306015000 | AIR FILTER | | 1.00 |
| 11 | 60341040100 | INTAKE TRUMPET LENGTH 100 | | 2.00 |
| 12 | 0025050256 | HH COLLAR SCREW M5X25 ISA30 | | 2.00 |
| 13 | 60306042010 | Bushing intake funnel | | 4.00 |
| 14 | 0021050003 | washer DIN 9021 A - 5.3 | | 2.00 |
| 16 | 61041080000 | AMBIENT-AIR TEMPERATURE SENSOR | | 1.00 |
| 17 | 60330088030 | OIL SEPARATOR FOAM HOSE | | 1.00 |
| 18 | 60306082000 | CLAMP YDNAC 10173 (19MM) | | 2.00 |
| 19 | 60306040000 | INTAKE DUCT RS | | 1.00 |
| 20 | 60306041000 | INTAKE DUCT LS | | 1.00 |

| | | | | |
|----|---------------|-------------------------------|--|------|
| 21 | 60306040050 | GASKET INTAKE DUCT | | 2.00 |
| 22 | 0770690020 | O-RING 69,00X2,00 NBR 70 | | 2.00 |
| 23 | 61305031000 | RETAINING BRACKET SLS | | 1.00 |
| 24 | 00050226706 | VARIABLE ONE-EAR CLAMP 22,6MM | | 5.00 |
| 25 | 00050157706 | Variable one-ear clamp 15.7mm | | 2.00 |
| 26 | 61305035023 | SAS HOSE - AIRBOX | | 1.00 |
| 27 | 61305035021 | SAS HOSE CYLINDER FRONT | | 1.00 |
| 28 | 61005026000 | CONTROL VALVE SAS 05 | | 1.00 |
| 29 | 61305035022 | SAS HOSE CYLINDER REAR | | 1.00 |
| 30 | 60307016000 | FUEL HOSE 1 CPL. | | 1.00 |
| 31 | 60015019001 | HOSE NBR 7X11 PER METER | | 1.00 |
| 32 | 61205122000 | SAS flange | | 1.00 |
| 33 | 61205032000 | SAS-FLANGE | | 1.00 |
| 34 | 5850701030030 | Plug CPC black 05 | | 1.00 |
| 35 | 0025080126 | HH collar screw M8x12 TX40 | | 1.00 |