

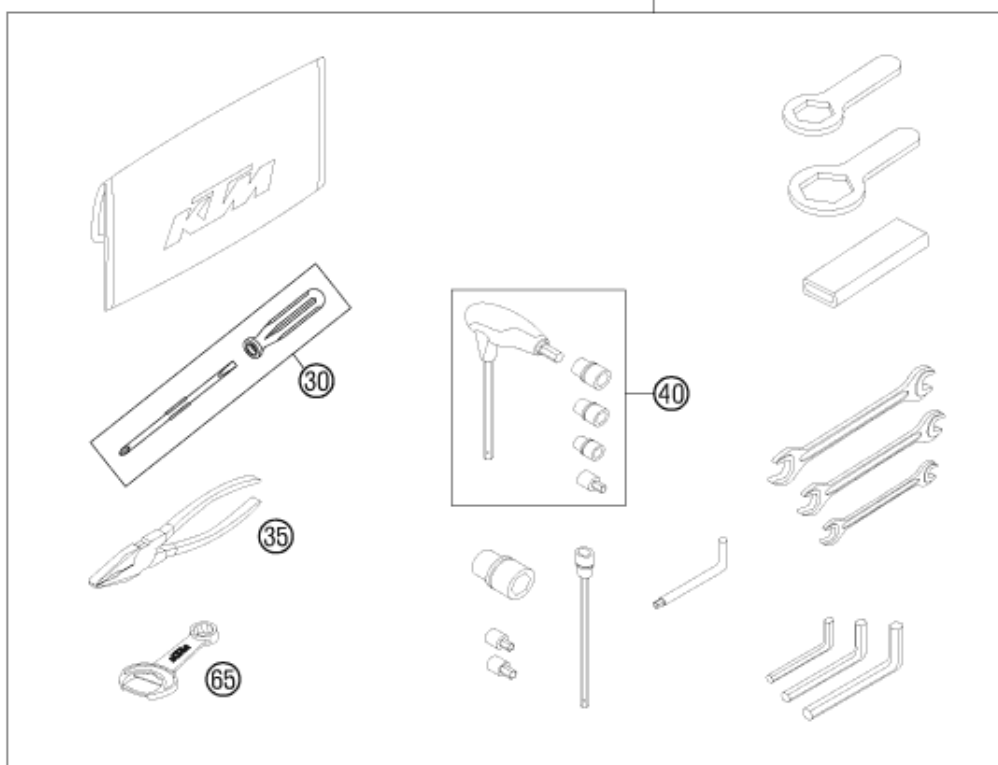
0

 OHNE ABBILDUNG
WITHOUT ILLUSTRATION

1

 TECHNISCHE DOKUMENTATION
TECHNICAL DOCUMENTATION
DOCUMENTACION TECNICA
DOCUMENTATION TECHNIQUE
NOTE TECNICHE

12



Pos	Part Number	Description	Additional Text	Quantity
0	6001206810004	TANK PROTECTION ORANGE		1.00
0	60035040044	RADIATOR PROTECTION CPL.		1.00
0	60003092100	UNDERRIDE PROTECTION LEFT 06		1.00
0	60003093100	UNDERRIDE PROTECTION RIGHT 06		1.00
0	0024060156	HH collar screw M6x15 TX30	ONLY USA	10.00
0	60008008050	blind plug nut M5 WN16A		6.00
0	60008008000	FAIRING SCREEN 03		1.00
0	0019050201	COUNTERSUNK SCREW ISA25 M5X20		6.00
0	60008046000	SPECIAL WASHER D=12MM 03		6.00
0	58412040100	Rear view mirror, left/right		2.00
0	58412080000	REFLECTOR RED	EU+AUS	1.00
0	60012081200	license plate mouning plate	FOR AUS ONLY	1.00
0	0021060003	Washer DIN9021-A 6.4	ONLY USA	2.00
0	0985060003	Self lock. nut DIN985-M6-A2		4.00
0	58412080050	BRACKET FOR REFLECTOR		1.00
0	40006006000	WASHER 6MM		2.00
0	0966050163	OVAL HEAD SCREW DIN0966-M 5X16		2.00
0	0125050003	WASHER DIN0125-A 5,3		2.00
0	0985050003	Self locking nut DIN 985 M5		2.00

0	3210040	CUSTOMER WELCOME LETTER		1.00
0	312313	KTM BALLPOINT PEN ORANGE		1.00
0	312305	DOCUMENTS BAG 2006		1.00
0	00063099111	BAG FOR INSTR. MANUAL 245X170		1.00
0	00063004202	PRINT LABEL 60X51 MM		1.00
1	3211793EN	OWN.MAN.990 ADVENTURE/-R 2012		1.00
12	61129099000	TOOL SET 08		1.00
30	53012024100	SCREW DRIVER L=105MM		1.00
35	53012028200	GRIP ORANGE B&F		1.00
40	60029070200	T-WRENCH WS=6/8/10 TX=45 B&F		1.00
65	50329071100	WRENCH WS=13 B&F + OPENER		1.00