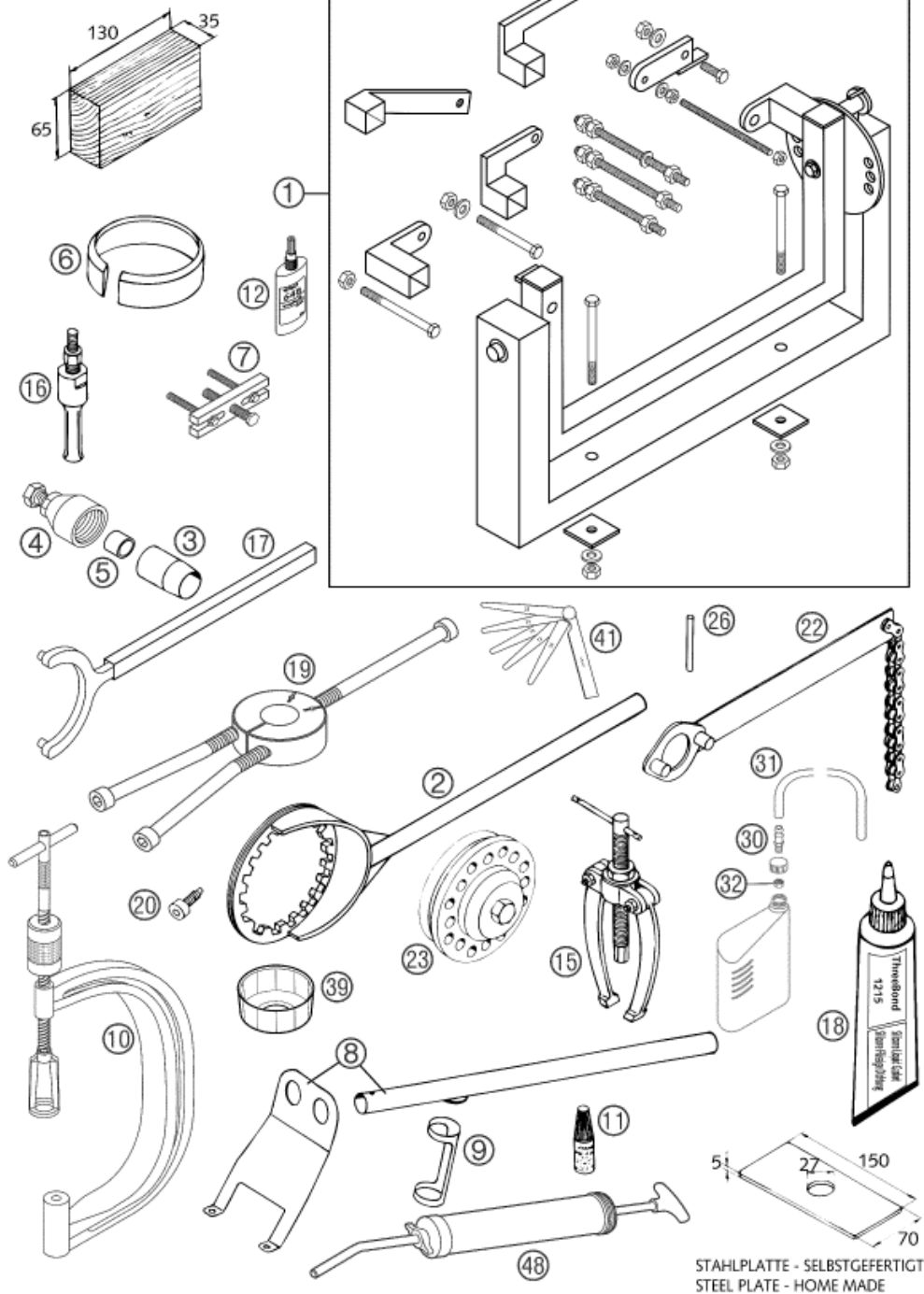


HOLZKLOTZ - SELBSTGEFERTIGT
WOODEN BLOCK - HOME MADE



Pos	Part Number	Description	Additional Text	Quantity
1	56012001000	ASSY SUPPORT (WITHOUT HOLDER)		1.00
2	58329003000	CLUTCH HOLDER D=160MM LC4'94		1.00
3	58012005025	MOUNTING SLEEVE D=25MM	FOR CRANKSHAFT SEAL L/S	1.00
4	58429009000	MAGNETO EXTRACTOR		1.00
5	58429031000	PROTECTOR CAP F.CRANKSHAFT M16		1.00
6	58012015101	PISTON RING COMPRESSOR D=101MM	620/640 LC4	1.00
7*	59029021044	EXTRACTOR PRIM. GEAR CPL.	WITH M4, M5, M6, SCREWS	1.00
8	58012019000	VALVE INSTALLATION KIT		1.00
9	6276470	PUSH INSERT		1.00

10	59029019000	VALVE SPRING LEVER		1.00
11	6899785	LOCTITE 243 BLUE 5 ML		0.00
12	58429059000	LOCTITE 648 GREEN 10ML		0.00
15	15112017000	BUSHING EXTRACTOR		1.00
16	15112018000	INTERN.BEAR.PULLER 12-16 MM		1.00
16	15112018100	INTERN.BEAR.PULLER 18-23 MM		1.00
17	58429012000	HOLDING WRENCH FOR WHEEL		1.00
18	309098	SILICON GASKET THREE-BOND		1.00
19	58429037043	MOUNTING TOOL F.BEARING NJ 207		1.00
19	58429037040	MOUNTING TOOL F.BEARING NJ 306		1.00
20	58030080000	LOCATING SCREW M8 L=23	450/525 MXC, EXC	1.00
22	51012012000	HOLDING SPANNER FOR SPROCKET		1.00
23	54629027000	RIVETTING TOOL FOR CLUTCH		1.00
26	58029026007	LIMIT PLUG GAUGE F.VALVE GUIDE	D=7,05MM	1.00
30	59030022000	BLEEDER FLANGE M8 WS=10 '99		1.00
31	31007107001	PVC-HOSE 6X9 MM PER METER	BREATHING HOSE	0.30
32	0934080003	Hexagon nut DIN934 M8		1.00
39	58329039000	WRENCH SCREW FILTER		1.00
41*	59029041000	FEELER GAUGE SET10,12,15,20,25		1.00
48	58429048000	INJEKTION FOR FRONT PIPE '99	DEAERATE FOR FRONT PIPE	1.00

* = New part