

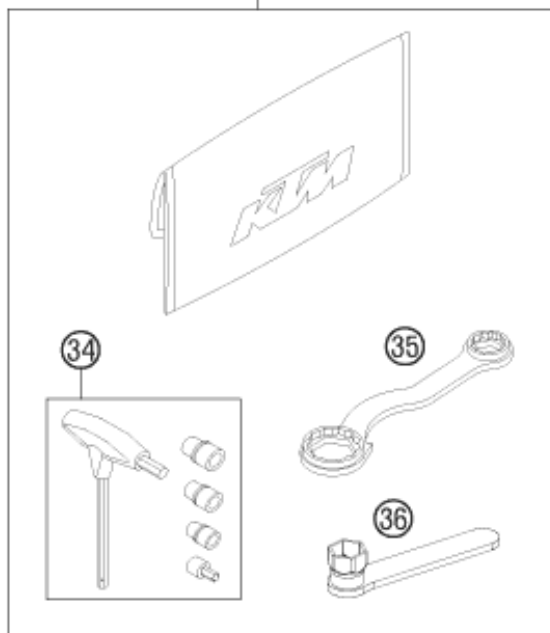
0

OHNE ABBILDUNG
WITHOUT ILLUSTRATION

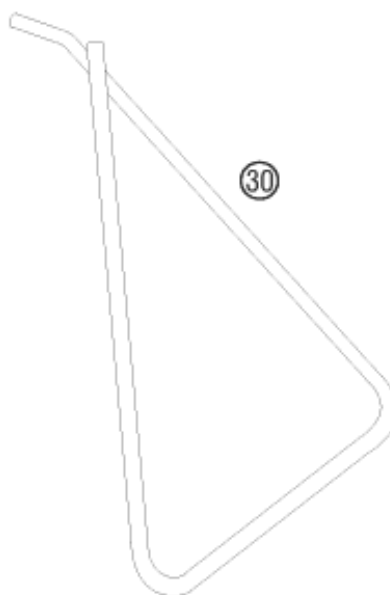
1

TECHNISCHE DOKUMENTATION
TECHNICAL DOCUMENTATION
DOCUMENTACION TECNICA
DOCUMENTATION TECHNIQUE
NOTE TECNICHE

29



30



Pos	Part Number	Description	Additional Text	Quantity
0	312313	KTM BALLPOINT PEN ORANGE		1.00
0	312305	DOCUMENTS BAG 2006		1.00
0	4700304003390	FOOTPEG L.+R. CPL. 85 SX 03		1.00
0	44011076200	CABLE TIE 200/3,6MM BLACK		2.00
0	4620801010004	FRONT FENDER ORANGE		1.00
0	0024060136	HH collar screw M6x13 TX30		4.00
0	3212457DE/GB	PP OFFROAD FOLDER 2013		1.00
0	3212455GB	POWER WEAR FOLDER 2013		1.00
1	3211855EN	OWN. MAN. 65 SX 2013		1.00
1	322000	SAFETY BROCHURES SPORTMINICYC.		1.00
29	46229099000	TOOL KIT 65 SX 09		1.00
30	47003020000	PLUG IN STAND SX 85 2003		1.00
34	60029070200	T-WRENCH WS=6/8/10 TX=45 B&F		1.00
35	50329080100	WRENCH SW=17/21/27/32 B&F		1.00
36	45229073000	SPARK PLUG WRENCH		1.00