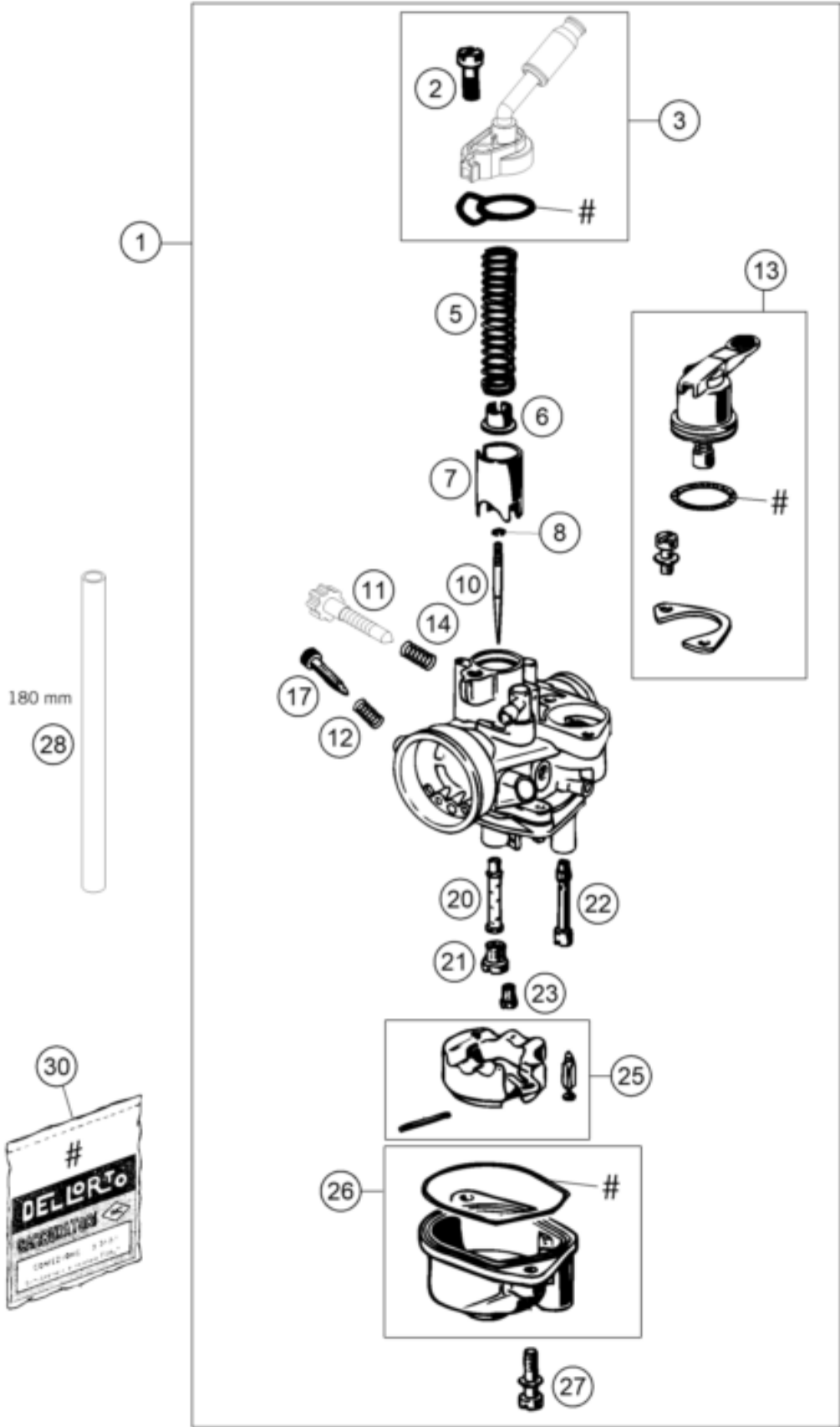


ACHTUNG !!!
 Vor dem Einbau des Vergasers,
 Bedüsung kontrollieren.

CAUTION !!!
 Before mounting the carburetor,
 check the jetting.



Pos	Part Number	Description	Additional Text	Quantity
-----	-------------	-------------	-----------------	----------

1	45231001300	CARBURETOR PHVA 12XS 2009	CHECK THE JETTING	1.00
2	0084050163	CYL.HEAD SCREW DIN0084-M 5X16A		1.00
3	45231027300	Carburetor cover		1.00
5	45131530000	SPRING		1.00
6	45131531000	SPRING CAP		1.00
7	45131535000	THROTTLE VALVE 40		1.00
8	45131545000	CLAMP SPRING		1.00
10*	45131534008	JET NEEDLE A8		1.00
10	45131534010	JET NEEDLE A10		0.00
11	45131517000	IDLE ADJUST SCREW		1.00
12	45131516000	SPRING		1.00
13	45131548000	STARTING LEVER CPL. DELL.12-14		1.00
14	45131518000	SPRING		1.00
17	45131617000	ADJUST SCREW		1.00
20	45131536000	ATOMIZER 211FA		1.00
21	59030054000	JET 60 DELLORTO M6X0,75	MINI ADV.	0.00
21	45131023065	MAIN JET 65 DELLORTO	MINI ADV.	0.00
21	45131023070	MAIN JET 70 DELLORTO		0.00
21	45131023075	MAIN JET 75 DELLORTO		0.00
21	57031523080	MAIN JET 80	SENIOR ADV.	0.00
22	45131551060	STARTING JET 60		1.00
23	45131507035	IDLING JET 35		0.00
23	45131507038	IDLING JET 38	MINI ADV.	0.00
23	45131507045	IDLING JET 45	SENIOR ADV.	0.00
23	45131507030	IDLING JET 30		1.00
25	45131509000	FLOAT CPL.		1.00
26	45131511000	FLOAT BOWL DELLORTO 12-14		1.00
27	0084040203	CYL.SCREW DIN0084-M 4X20 A		2.00
28	58307016001	FUEL HOSE VITON 6X1,5 PER/M		0.00
30	45131599000	GASKET SET DELLORTO 12-14 PHVA		1.00

* = New part