

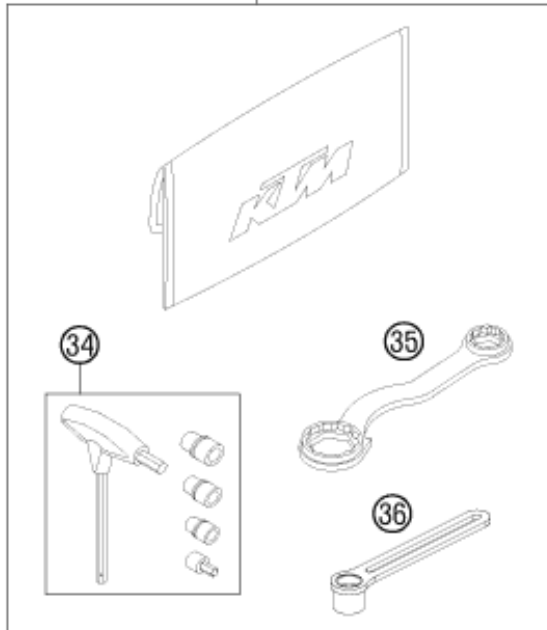
0

OHNE ABBILDUNG
WITHOUT ILLUSTRATION

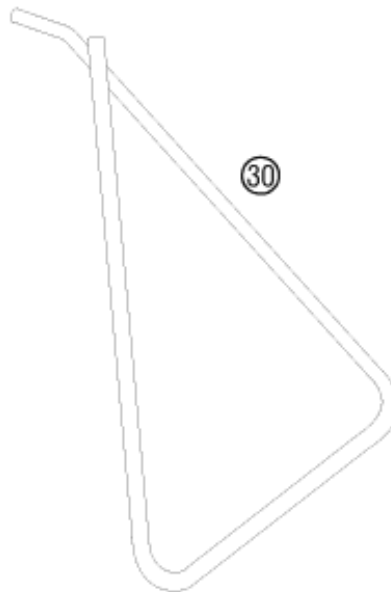
1

TECHNISCHE DOKUMENTATION
TECHNICAL DOCUMENTATION
DOCUMENTACION TECNICA
DOCUMENTATION TECHNIQUE
NOTE TECNICHE

29



30



Pos	Part Number	Description	Additional Text	Quantity
0	50306009000	STICKER "TWIN AIR"		1.00
0	3212525DE/GB	PP OFFROAD FOLDER 2014		1.00
0	3212521GB	POWER WEAR FOLDER 2014		1.00
0	3210039	CUSTOMER WELCOME LETTER		1.00
0	312313	KTM BALLPOINT PEN ORANGE		1.00
0	312305	DOCUMENTS BAG 2006		1.00
1	3213170EN	OWN. MAN. 50SX/50SX MINI 2015		1.00
1	322000	SAFETY BROCHURES SPORTMINICYC.		1.00
29	45229099000	TOOL KIT 50 SX 09		1.00
30	45103023300	Plug-in stand 50 SEN LC 03		1.00
34	60029070300	T-WRENCH WS=6/8/10/TX45/SK4X1		1.00
35	50329080100	WRENCH SW=17/21/27/32 B&F		1.00
36	45229073000	SPARK PLUG WRENCH		1.00