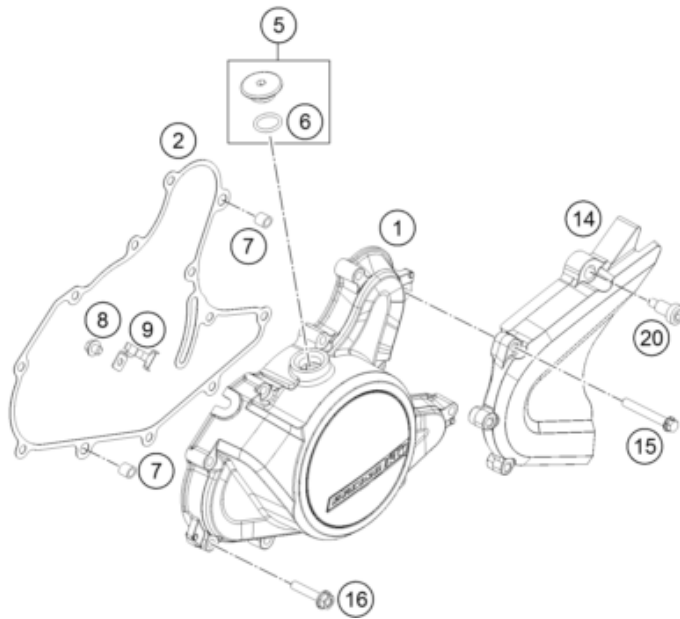
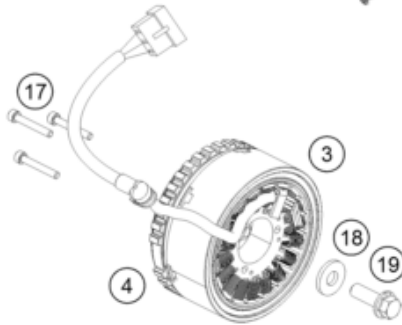
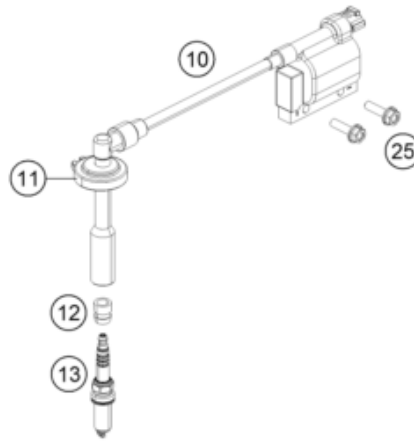
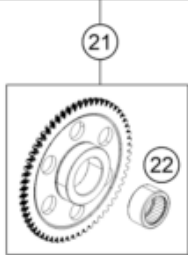


ACHTUNG !!! CAUTION !!!
FOR ROTOR 90139005000 Ø49mm USE FREEWHEEL 90140020000
FOR ROTOR 90139005100 Ø45mm USE FREEWHEEL 90640020000



Pos	Part Number	Description	Additional Text	Quantity
1	90130002000	IGNITION COVER		1.00
2	90130040000	IGNITION COVER GASKET		1.00
3	90139004000	STATOR CPL.		1.00
4	90139005100	ROTOR CPL.		1.00
5	90130002010	PLUG INCL. O-RING		1.00
6	J770015824	O-RING 15,8X2,4		1.00
7	90130024000	PIN DOWEL 8X6,4X14MM		2.00
8	J025060083S	HH COLLAR SCREW M5X6		1.00
9	90139004002	BRACKET F. STATORCABLE		1.00
10	90139090033	coil assembly ignition		1.00
11	90139090001	GASKET SPARK PLUG CONNECT.		1.00
12	90139093001	RUBBER GASKET SPARK PLUG		1.00

13	90139093100	SPARK PLUG VR5NE		1.00
14	90103096000	CHAIN SPROCKET GUARD		1.00
15	J025060456	HH COLLAR SCREW M6X45 SW10		3.00
16	J025060306	HH COLLAR SCREW M6X30 SW10		9.00
17	J912050353S	AH SCREW M5X35 SELF LOCKING		3.00
18	90130028050	WASHER		1.00
19	90130028000	FLANGED BOLT M10X1,25X30		1.00
20	90104060010	special screw M6x24 WS6		1.00
21	90140020000	FREEWHEEL GEAR CPL.		1.00
22	J618253216	NEEDLE ROLLER BEARING HK2516		1.00
25	J025060209	HH COLLAR SCREW M6X20		2.00
26	90130001000	SUPPORT FREEWHEEL CLUTCH		1.00
27	90140026000	FREEWHEEL CLUTCH		1.00
28	90130001002	TOOTHED LOCK WASHER		4.00
29	90130001001	SOCKET HEAD SCREW M6X20		4.00