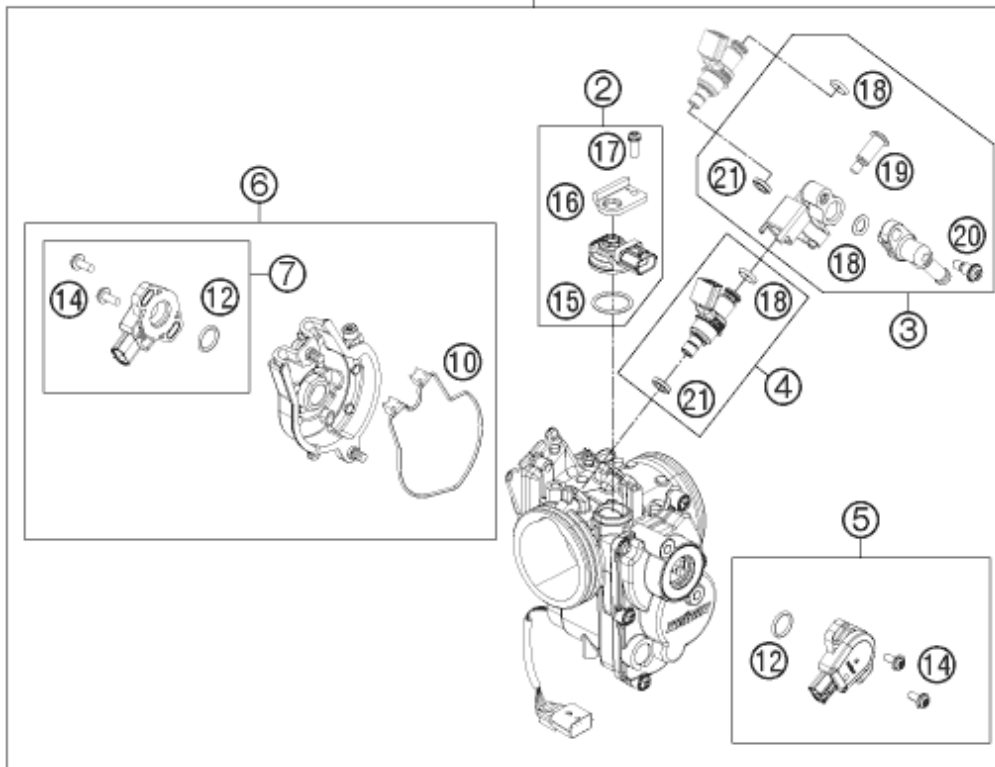


①



Pos	Part Number	Description	Additional Text	Quantity
1	75041101000	THROTTLE BODY		1.00
2	75041085044	MAP SENSOR CPL. 07		1.00
3	75041013044	FUEL RAIL ASSY SET 07		1.00
4	75041023144	INJECTOR KIT CPL.		1.00
5	75041077144	TPS CPL. 2010		1.00
6	75041101044	APS UNIT CPL. 2010		1.00
7	75041177144	APS SENSOR CPL. 2010		1.00
10	75041001060	PACKING		1.00
12	75041077110	O-RING		1.00
14	75041077130	SCREW TORX WITH WASHER		2.00
15	75041085010	O-RING		1.00
16	75041085020	PLATE, STAY		1.00
17	75041085030	SCREW WASHER		1.00
18	75041023020	O-RING 7,2x2,2		2.00

19	75041013060	SCREW SHOULDER		1.00
20	75041013010	SCREW SHOULDER		1.00
21	75041023010	SEAL RING		1.00
22	61041085150	RUBBER SUPP. PRESSURE SENS. 06		1.00
23	61041085100	PRESSURE SENSOR 06		1.00
24	60031098001	HOSE 3,2X8,5 PER METER		0.00
25	61041088000	ROLLOVER SENSOR 05		1.00
26	61041088050	SHIM 4,3X15X1,25MM GALVANIZED		4.00
27	0912040253	AH SCREW DIN0912-M 4X25		2.00
28	61041080000	AMBIENT-AIR TEMPERATURE SENSOR		1.00
29	0081050121	EJOT PT screw K50x12	only for US and SixDays	2.00
30	75041032000	TIMING CHARGER EPT 07		1.00
40	75041031000	ELECTRONIC CONTROL UNIT		1.00