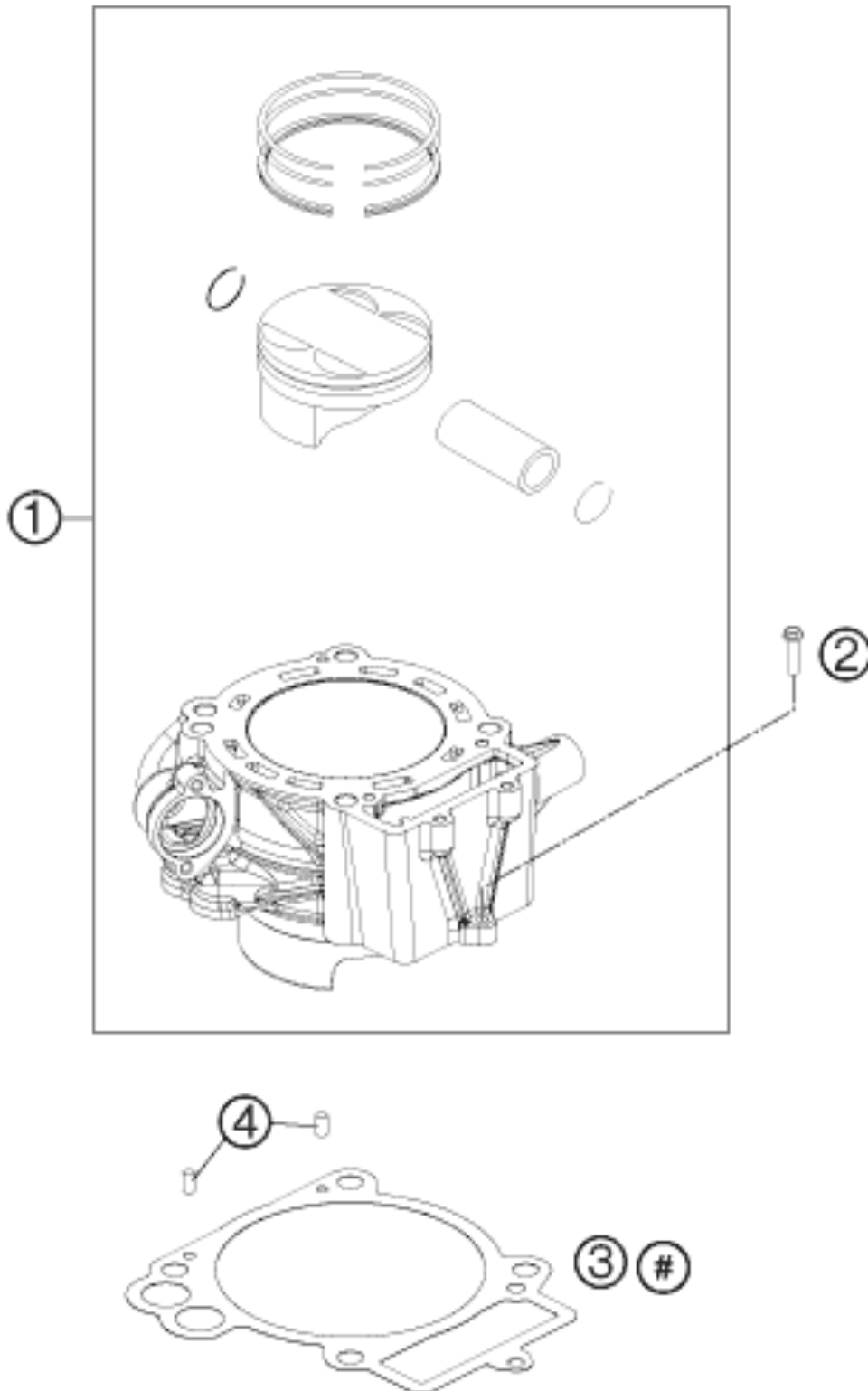


# ENTHALTEN IM DICHTSATZ MOTOR LC4  
INCLUDED IN GASKET-SET ENGINE LC4



| Pos | Part Number | Description                | Additional Text | Quantity |
|-----|-------------|----------------------------|-----------------|----------|
| 1   | 75330038100 | CYLINDER + PISTON D=102    |                 | 1.00     |
| 2   | 0025060256  | HH collar screw M6x25 TX30 |                 | 1.00     |

|   |             |                          |  |      |
|---|-------------|--------------------------|--|------|
| 3 | 75030035000 | CYLINDER BASE GASKET 07  |  | 1.00 |
| 4 | 0474050100  | GROOVED PIN DIN1474 5X10 |  | 2.00 |