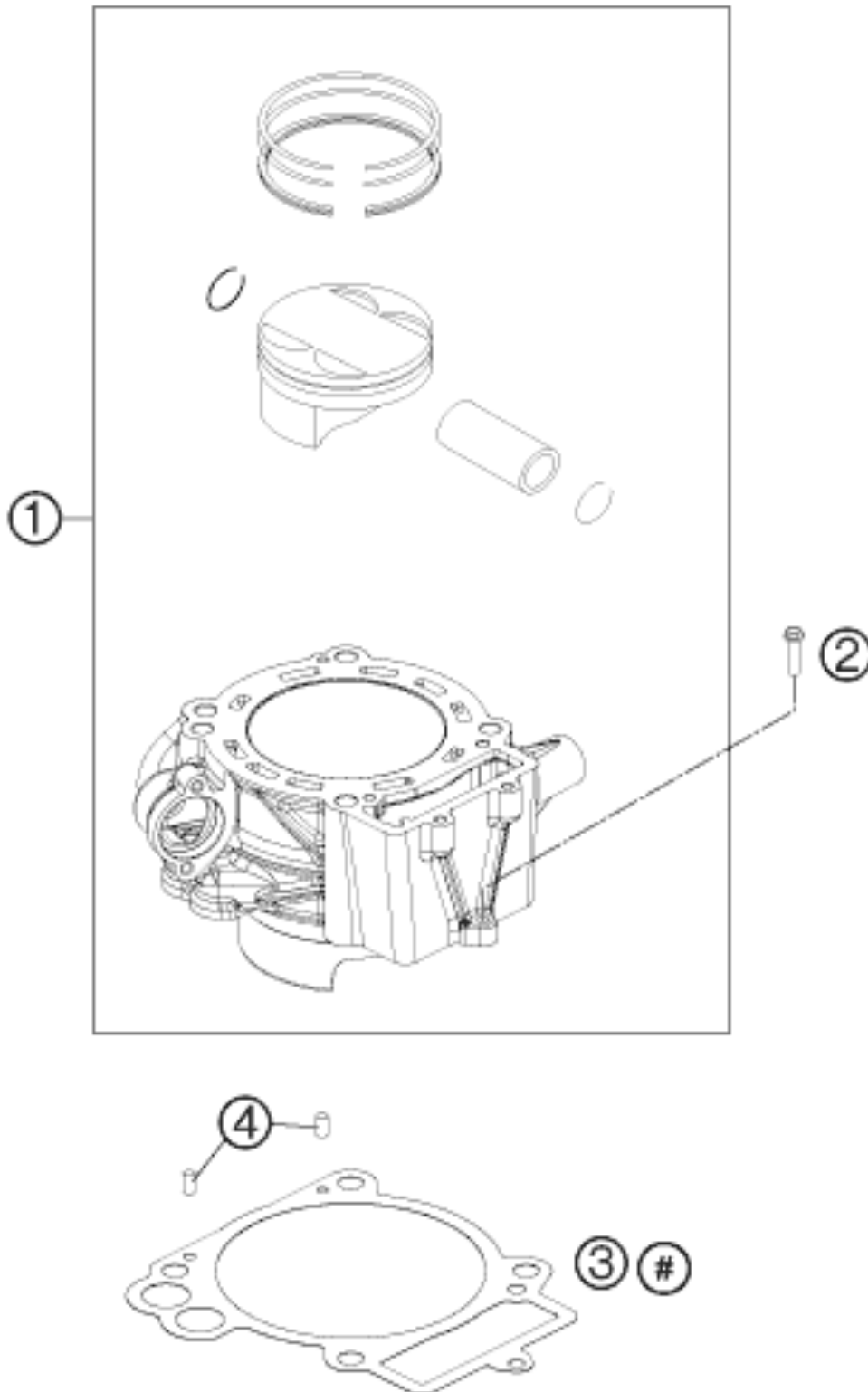


ENTHALTEN IM DICHTSATZ MOTOR LC4
INCLUDED IN GASKET-SET ENGINE LC4



Pos	Part Number	Description	Additional Text	Quantity
1	75330038100	CYLINDER + PISTON D=102		1.00
2	0025060256	HH collar screw M6x25 TX30		1.00

3	75030035000	CYLINDER BASE GASKET 07		1.00
4	0474050100	GROOVED PIN DIN1474 5X10		2.00